

S08 Series  
Compact Electric Single-Motor  
**Sit-Stand Desks**

Increasingly Affordable with Advanced Features



Everything in **One** Box!



**treefruit**

Graphic content and creative work  
provided by treefruit.cn

E-mail: [info@lumi.cn](mailto:info@lumi.cn) / [www.lumi.cn](http://www.lumi.cn)

# S08 Series

## Compact Electric Single-Motor Sit-Stand Desks

**LUMI**  
ergo



Available With Table Top  
or Frame Only



**Powerful Lifting Columns**  
Quiet and smooth movement  
with high speed



**Strong Reliable Motor**  
For stable and smooth transitions



**Advanced Memory Controller**  
(For S08-22D, S08-22R, S08-22D-B)



3 Memory Settings



CM/INCH Conversion



Timer Reminder



**2-Button Controller**  
(For S08-22DE, S08-22RE, S08-22DE-B)



Simple Up/Down Operation



Tactile Mechanical Switching

# S08 Series

## Compact Electric Single-Motor Sit-Stand Desks

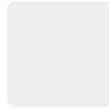


### Choose from a variety of popular desktop finishes and colors

Due to variations in printing and/or monitors and browsers, actual product color may vary. LUMI recommends that you order samples to confirm your color selection(s) by emailing us at [info@lumi.cn](mailto:info@lumi.cn)

#### Desktop Colors

##### Particle Board



White



Paulownia



Walnut

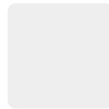


Black

##### Bamboo



#### Desk Frame Colors



White



Grey



Black

#### Edge Choices



Standard Edges



Rounded Edges

#### Locking Casters



SFC-02 Desk Wheels

### Popular Products Help Your Sales!

S08 Series are compatible with popular accessories that optimize user experience.



Swivel Storage Tray



Pull-Out Drawer



Adjustable Keyboard Tray



Cable Management Tray



Adjustable CPU Mount



Mobile File Cabinet



Anti-Fatigue Standing Mat



Height Adjustable Perch Stool

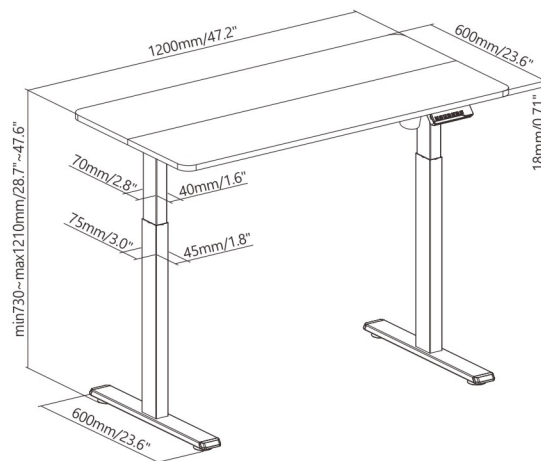
# S08 Series

## Compact Electric Single-Motor Sit-Stand Desks

**LUMI**  
ergo

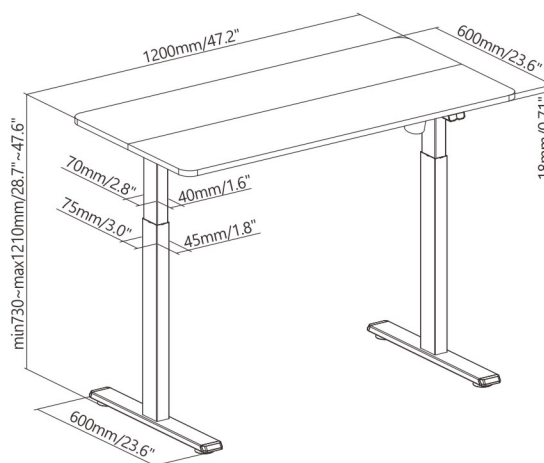
**S08-22D-B**

✔ Standard Column    ✔ 2-Stage



**S08-22DE-B**

✔ Standard Column    ✔ 2-Stage



Frame Colors:

Desktop Colors: (For Black & Grey Frames) (For White Frames)

Item No.	S08-22D-B	S08-22DE-B
Tabletop Size	1200x600mm (47.2"x23.6")	1200x600mm (47.2"x23.6")
Height Range	730-1210mm (28.7"-47.6")	730-1210mm (28.7"-47.6")
Weight Capacity	70kg/154lbs	60kg/132lbs
Max. Speed	25mm/s	25mm/s

# S08 Series

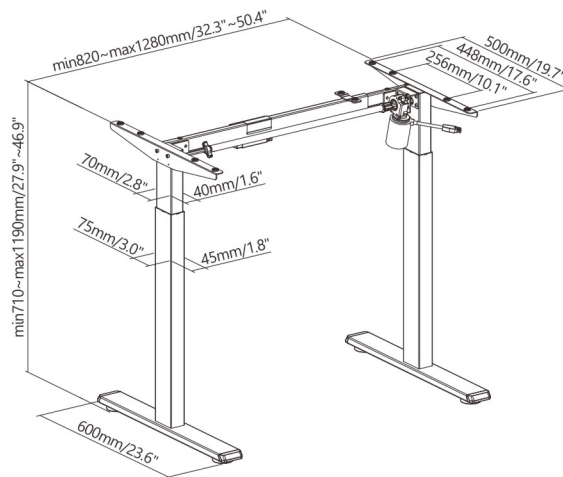
## Compact Electric Single-Motor Sit-Stand Desks



Models below include Advanced Memory Controller and Frame

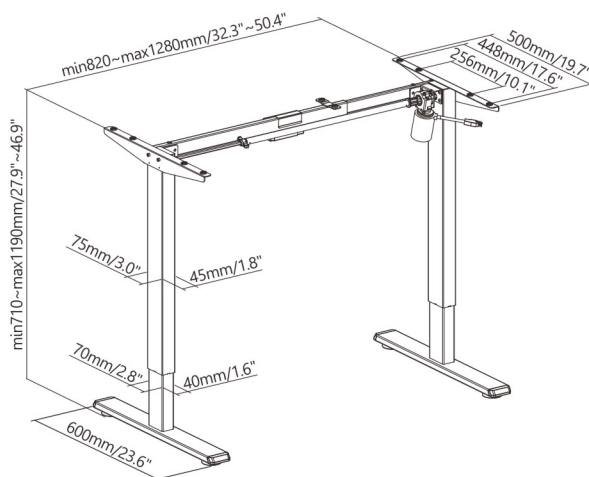
### S08-22D

- Standard Column
- 2-Stage



### S08-22R

- Reversed Column
- 2-Stage



Frame Colors:

Item No.	S08-22D	S08-22R
Width Range	820-1280mm (32.3"-50.4")	820-1280mm (32.3"-50.4")
Height Range	710-1190mm (27.9"-46.9")	710-1190mm (27.9"-46.9")
Weight Capacity	80kg/176lbs	80kg/176lbs
Max. Speed	25mm/s	25mm/s

# S08 Series

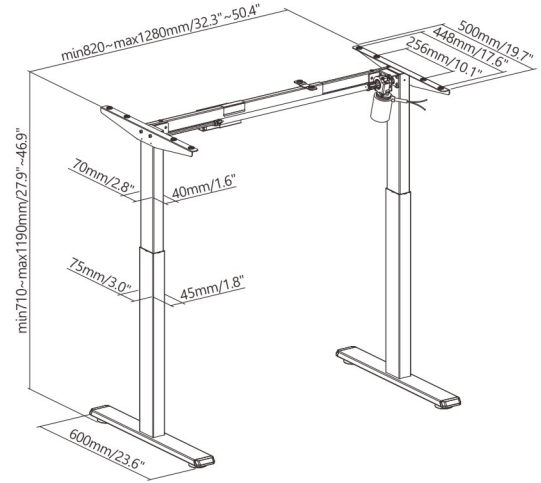
## Compact Electric Single-Motor Sit-Stand Desks



Models below include 2-Button Controller and Frame

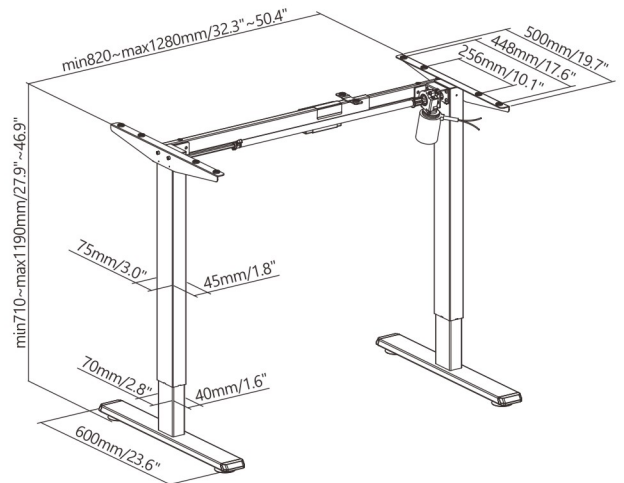
### S08-22DE

- Standard Column
- 2-Stage



### S08-22RE

- Reversed Column
- 2-Stage



Frame Colors:

Item No.	S08-22DE	S08-22RE
Width Range	820-1280mm (32.3"-50.4")	820-1280mm (32.3"-50.4")
Height Range	710-1190mm (27.9"-46.9")	710-1190mm (27.9"-46.9")
Weight Capacity	70kg/154lbs	70kg/154lbs
Max. Speed	25mm/s	25mm/s