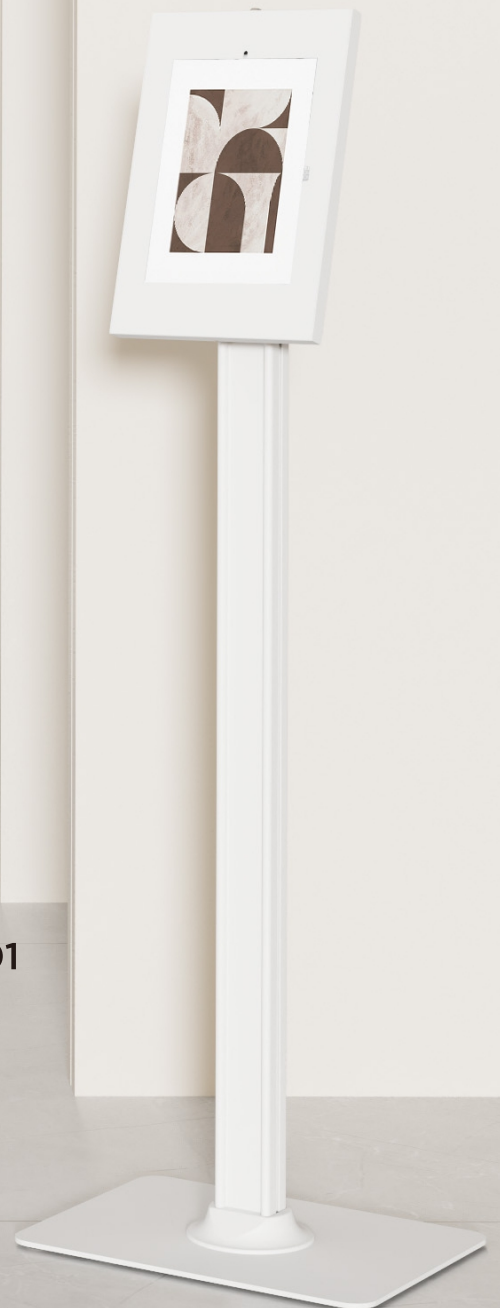


Brateck



PAD34-01&PAD34-02&PAD34-03&PAD34-KP01

Universal Simplicity Anti-Theft Tablet Kiosks

All-in-One Enclosure for Safety and Convenience

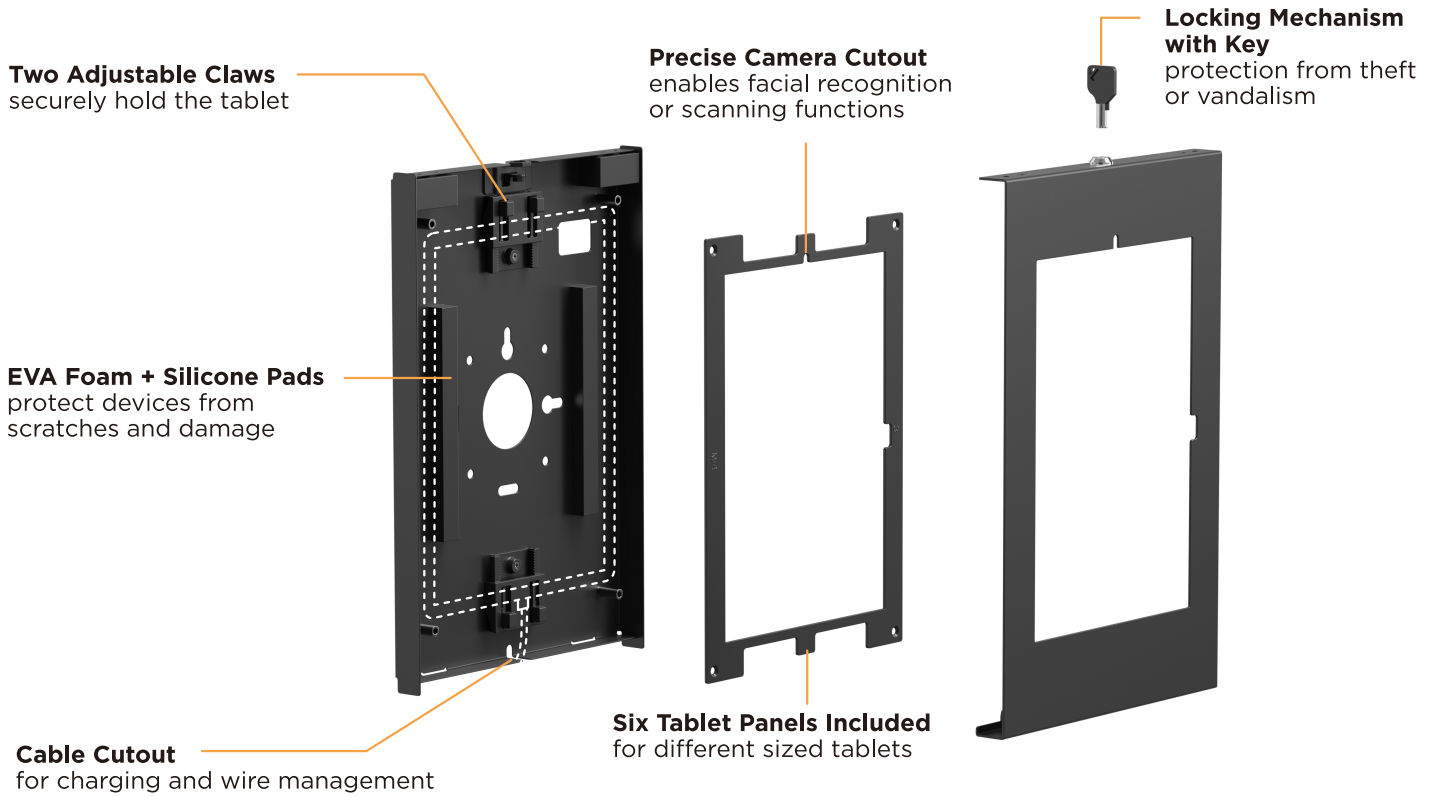
Compatible with 9.7" to 11" iPad, iPad Air, iPad Pro,
Samsung Galaxy Tab A 10.1 (2019), Tab A7 and Tab S6 Lite.

www.cdlnz.com/3 years quality warranty

PAD34-01&PAD34-02&PAD34-03&PAD34-KP01 Universal Simplicity Anti-Theft Tablet Kiosks

Brateck

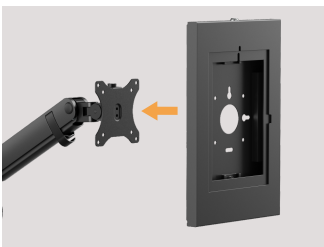
Innovative Enclosure Design



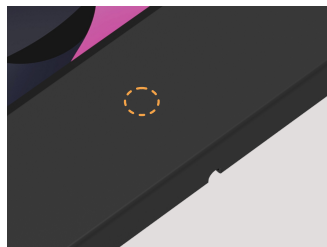
Wall-Mounted (PAD34-01)



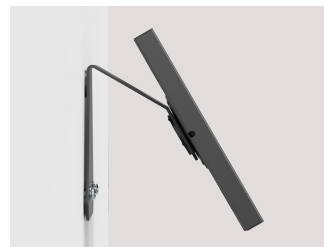
Countertop / Wall-Mounted (PAD34-02)



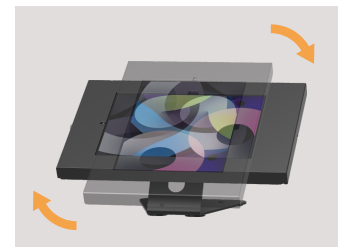
VESA 75X75 Compatible
can be used with most
monitor arms



Covered Home Button
prevents damage –
safe for use in public areas



Wall Mountable
for various applications



Functionally Versatile
landscape or portrait

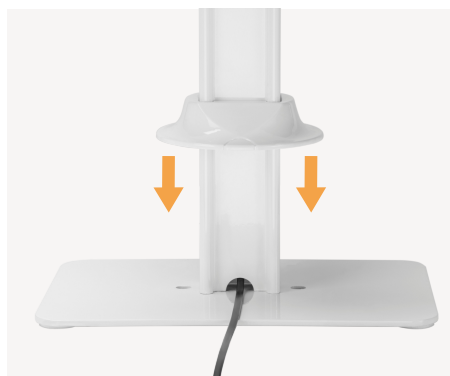
PAD34-01&PAD34-02&PAD34-03&PAD34-KP01 Universal Simplicity Anti-Theft Tablet Kiosks

Brateck

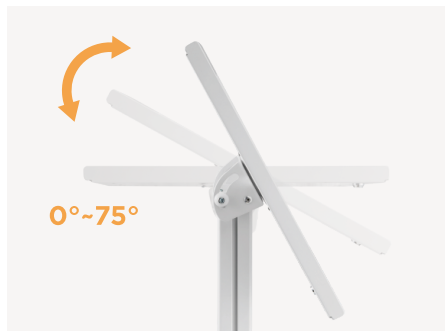
Countertop (PAD34-03)



Floor-Standing (PAD34-KP01)



Internal Cable Management
protects wiring from damage
or vandalism



Free Tilting
suits various viewing needs



Landscape or Portrait Position
fits various applications



Fixed Base
for additional stability and security

PAD34-01&PAD34-02&PAD34-03&PAD34-KP01

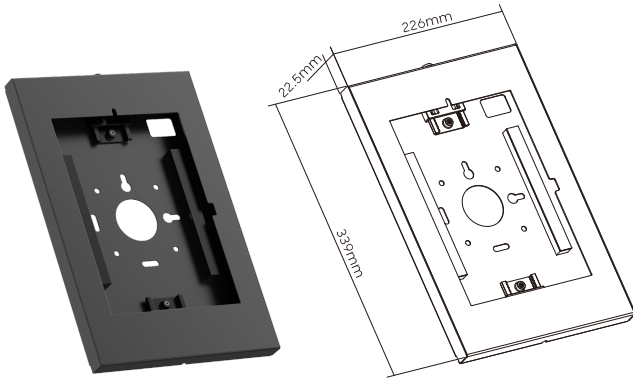
Universal Simplicity Anti-Theft Tablet Kiosks

Brateck

Wall-mounted

PAD34-01

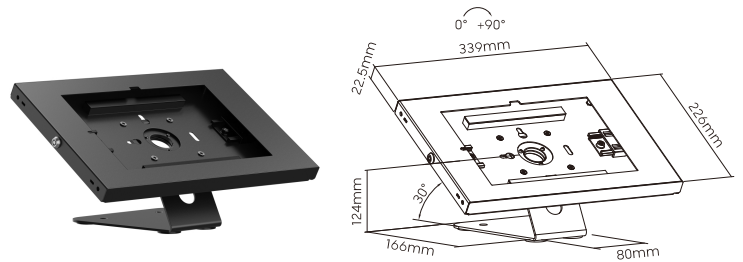
Material: Plastic, Steel
Weight Capacity: 1kg/2.2lbs



Countertop / Wall-mounted

PAD34-02

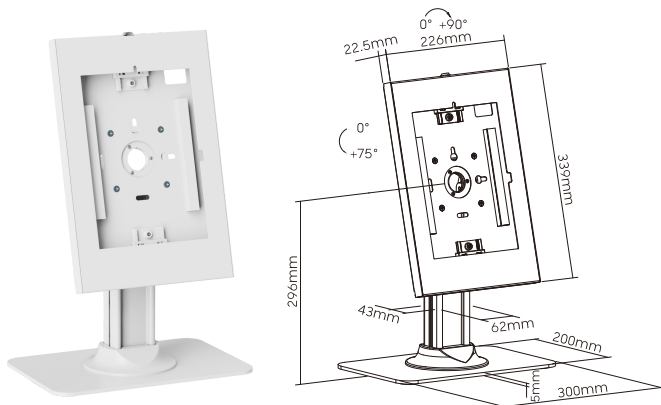
Material: Plastic, Steel
Rotation: 0° ~ +90°
Weight Capacity: 1kg/2.2lbs



Countertop

PAD34-03

Material: Plastic, Steel, Aluminum
Rotation: 0° ~ +90°
Tilt: 0° ~ +75°
Weight Capacity: 1kg/2.2lbs



Floor Standing

PAD34-KP01

Material: Steel, Aluminum, Plastic
Rotation: 0° ~ +90°
Tilt: 0° ~ +75°
Weight Capacity: 1kg/2.2lbs

