

LP38 Series

## Heavy-Duty Fixed & Tilt TV Wall Mounts

Easy to use and install, the LP38 series is designed to hold 32" - 90" TVs up to 80kg/176lbs, VESA patterns up to 800x400mm. If you're looking to add depth to your favorite movie, the LP38 Series is waiting to show you what you've been missing. Outdoor and anti-theft mounts are available.



There are 4 types of mounts for different applications



1 Fixed mount for low-profile installation.



2 Weatherproof design for outdoor installation.

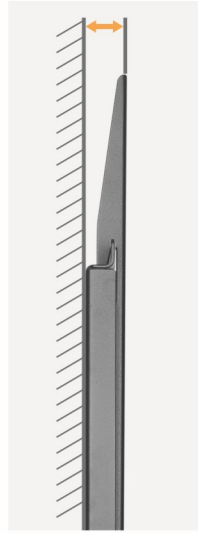
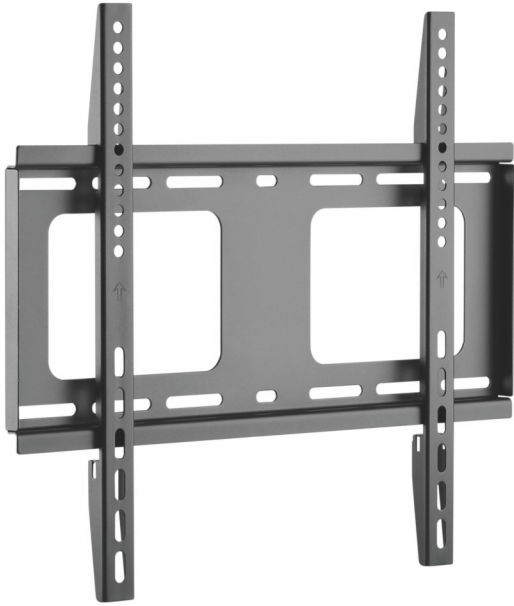


3 Locking bar secure the TV for commercial installation.



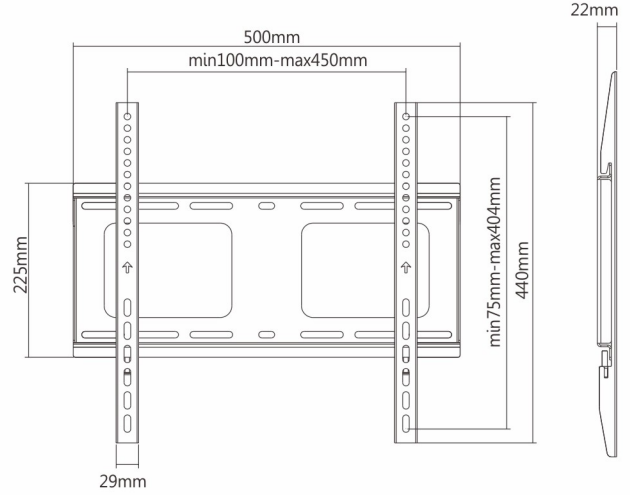
4 Tilting mount for optimal viewing.

# LP38 Series Fixed TV Wall Mounts

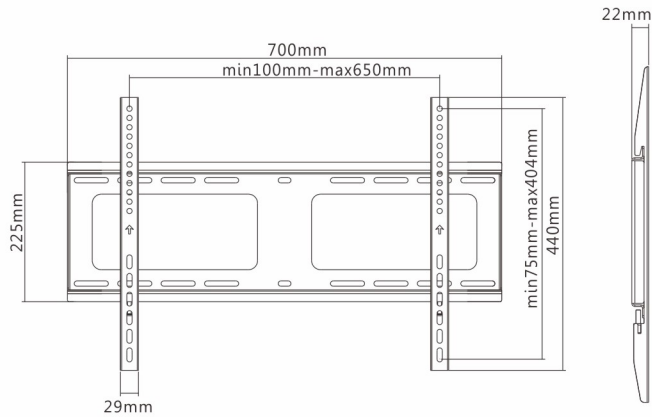


**22mm(0.87")**  
Low-Profile to Wall

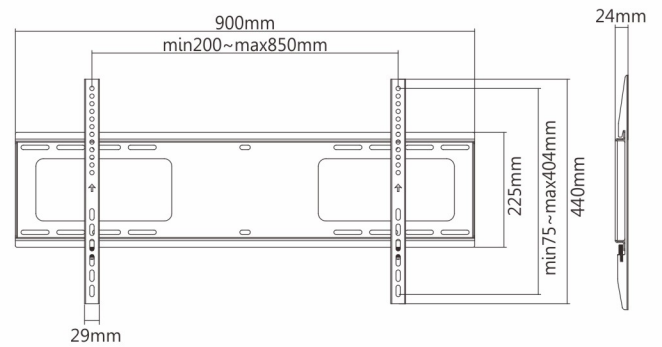
## LP38-44F



## LP38-46F



## LP38-48F



Item No.	LP38-44F	LP38-46F	LP38-48F
Fit Screen Size	32"-55"	37"-80"	43"-90"
VESA Compatible	200x200, 300x300, 400x200, 400x400	200x200, 300x300, 400x200, 400x400, 600x400	200x200, 300x200, 300x300, 400x200, 400x300, 400x400, 600x400, 800x400
Weight Capacity	80kg (176lbs)	80kg (176lbs)	80kg (176lbs)
Strength Tested*	4 Times Approved	4 Times Approved	4 Times Approved
Profile	22mm (0.87")	22mm (0.87")	24mm (0.94")

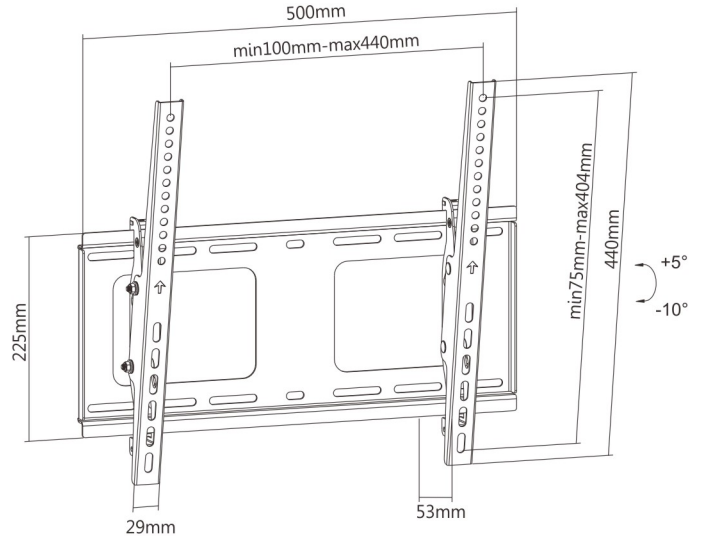
# LP38 Series Tilt TV Wall Mounts



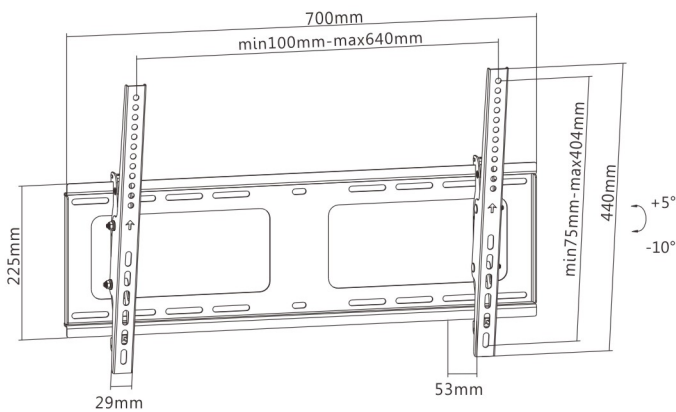
+5°~-10° Tilt



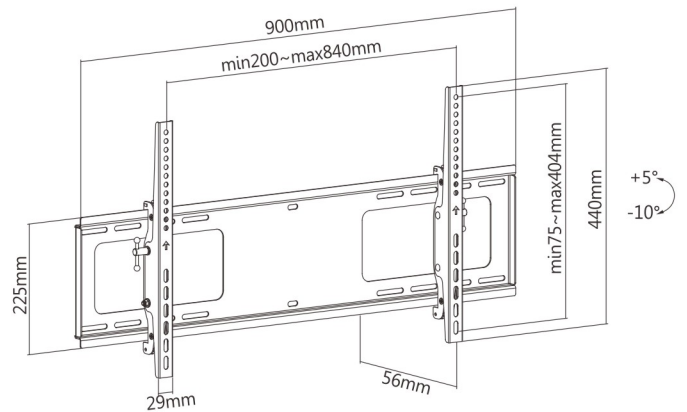
LP38-44T



LP38-46T



LP38-48T



Item No.	LP38-44T	LP38-46T	LP38-48T
Fit Screen Size	32"-55"	37"-80"	43"-90"
VESA Compatible	200x200, 300x300, 400x200, 400x400	200x200, 300x300, 400x200, 400x400, 600x400	200x200, 300x200, 300x300, 400x200, 400x300, 400x400, 600x400, 800x400
Weight Capacity	80kg (176lbs)	80kg (176lbs)	80kg (176lbs)
Strength Tested*	4 Times Approved	4 Times Approved	4 Times Approved
Profile	53mm (2.1")	53mm (2.1")	56mm (2.2")
Tilt Range	+5°~-10°	+5°~-10°	+5°~-10°



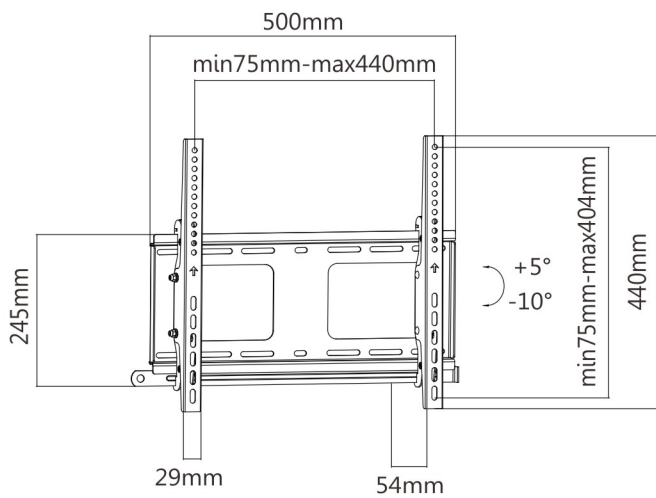
# LP38 Series Anti-theft TV Wall Mounts



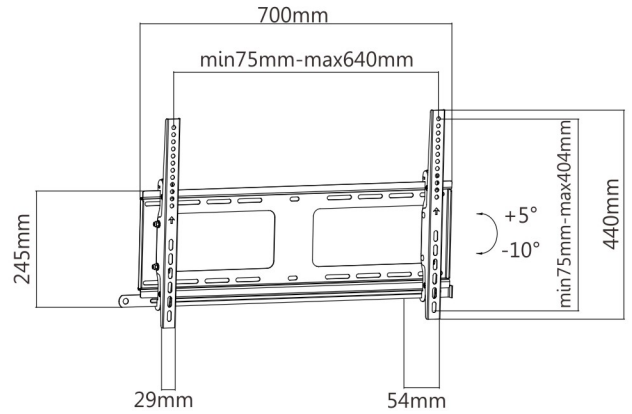
**Locking Bar**  
(padlocks required)



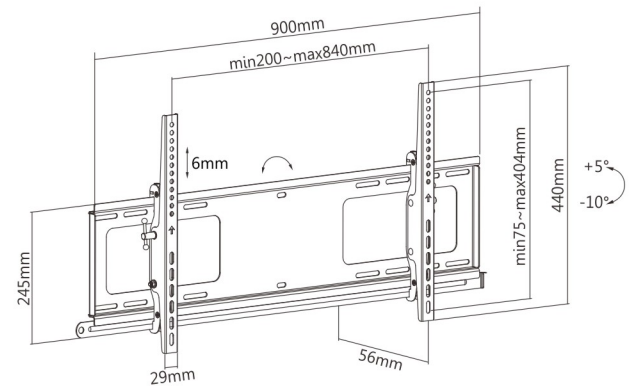
## LP38-44AT



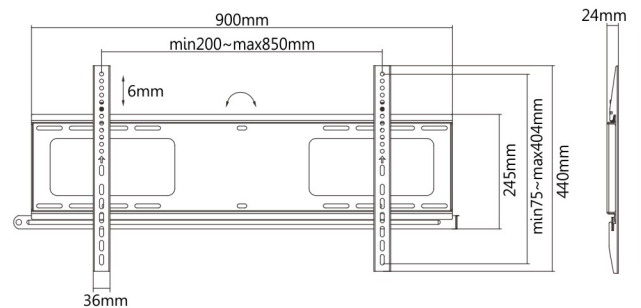
## LP38-46AT



## LP38-48AT

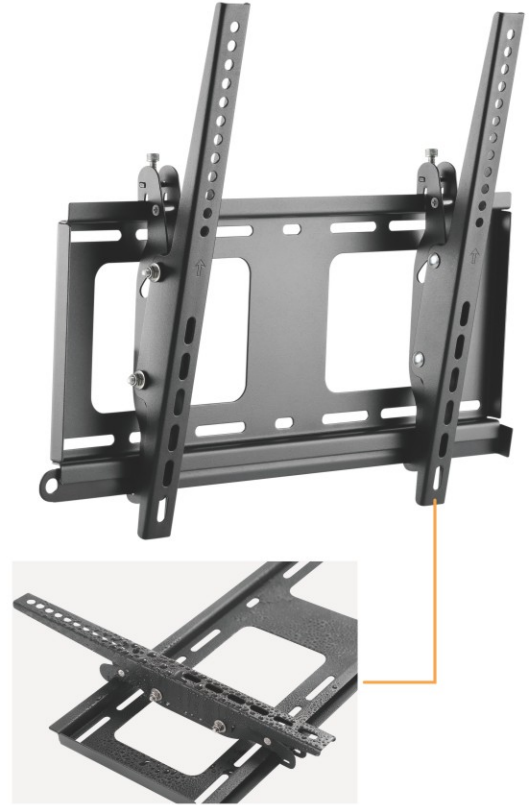


## LP38-48AF



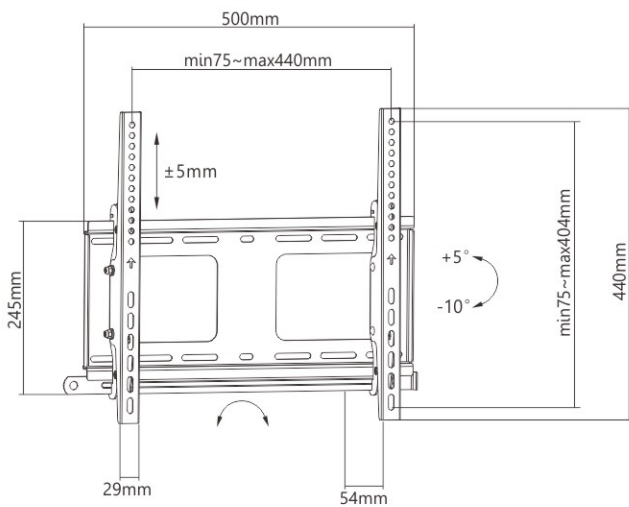
Item No.	LP38-44AT	LP38-46AT	LP38-48AF	LP38-48AT
Fit Screen Size	32"-55"	37"-80"	43"-90"	43"-90"
VESA Compatible	200x200, 300x300, 400x200, 400x400	200x200, 300x300, 400x200, 400x400, 600x400	200x200, 300x200, 300x300, 400x200, 400x300, 400x400, 600x400, 800x400	200x200, 300x200, 300x300, 400x200, 400x300, 400x400, 600x400, 800x400
Weight Capacity	80kg (176lbs)	80kg (176lbs)	80kg (176lbs)	80kg (176lbs)
Strength Tested*	4 Times Approved	4 Times Approved	4 Times Approved	4 Times Approved
Profile	54mm (2.1")	54mm (2.1")	24mm (0.94")	56mm (2.2")
Tilt Range	-10°-5°	-10°-5°	/	+5°--10°

# LP38 Series Outdoor TV Wall Mounts

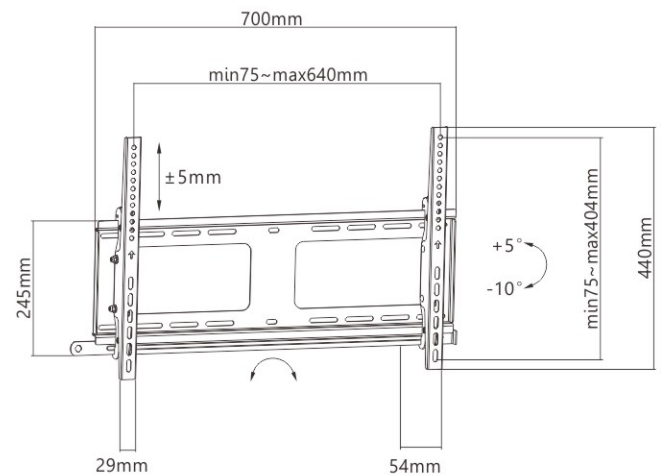


**Outdoor Powder Coated Finish & Stainless Steel Screws**  
capable of enduring the harshest weather

## LP38-44ATW



## LP38-46ATW



Item No.	LP38-44ATW	LP38-46ATW
Fit Screen Size	32"-70"	37"-80"
VESA Compatible	75x75, 100x100, 100x150, 150x100, 150x150, 200x100, 200x200, 300x200, 300x300, 400x200, 400x300, 400x400	200x200, 300x200, 300x300, 400x200, 400x300, 400x400, 600x400
Weight Capacity	80kg (176lbs)	80kg (176lbs)
Strength Tested*	4 Times Approved	4 Times Approved
Profile	54mm (2.1")	54mm (2.1")
Tilt Range	+5°--10°	+5°--10°



# A LITTLE CHANGE MAKES A BIG DIFFERENCE!

LUMI provides the most innovative products for the OEM/ODM market with the best quality. LUMI has improved the LP38 Series from an indoor TV wall mount to a weatherproof and anti-theft mount with broadened applications. If you've not yet joined LUMI as a customer, give us a try to bring your idea to life.

