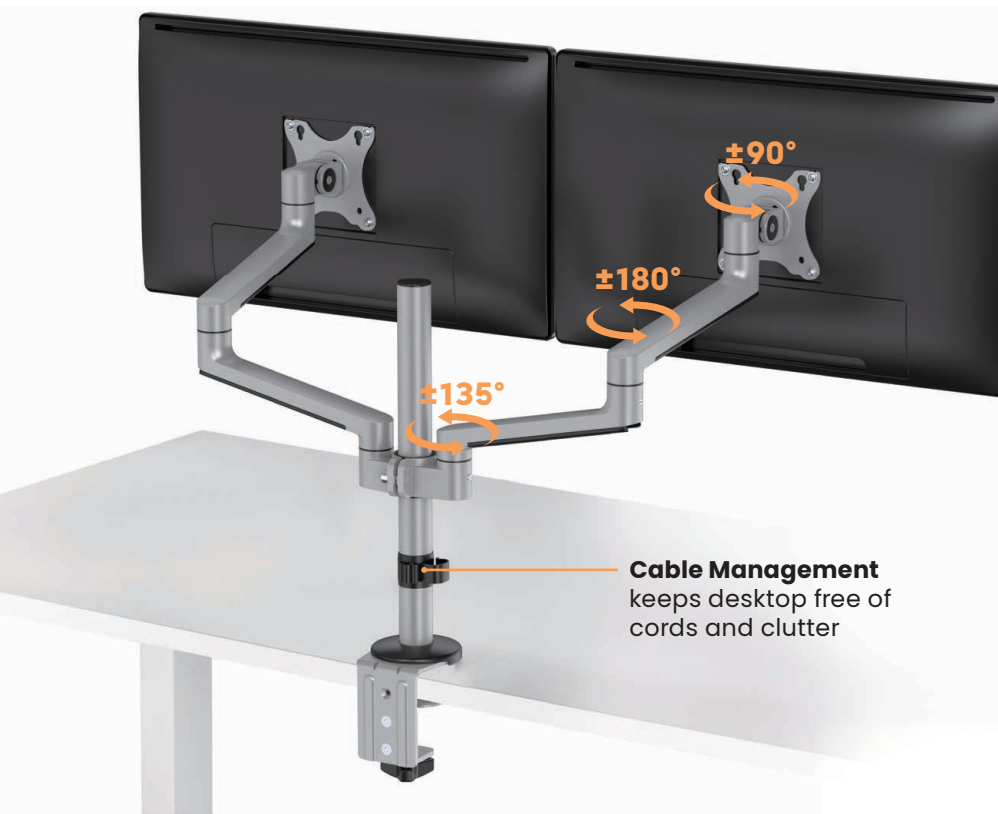


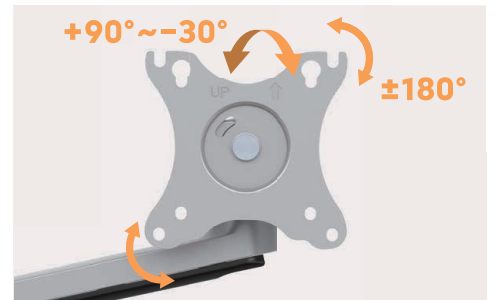
LDT72 Series

Premium Aluminum Articulating Monitor Arms & Stands

Brateck[®]
BRACKET TECHNOLOGY



VESA Plate with Keyhole Slots
provide quick monitor installation



Seamless side-by-side viewing
for dual and quad monitor arms

Multiple Mounting Options for different user needs



Clamp / Grommet Base



Freestanding Base

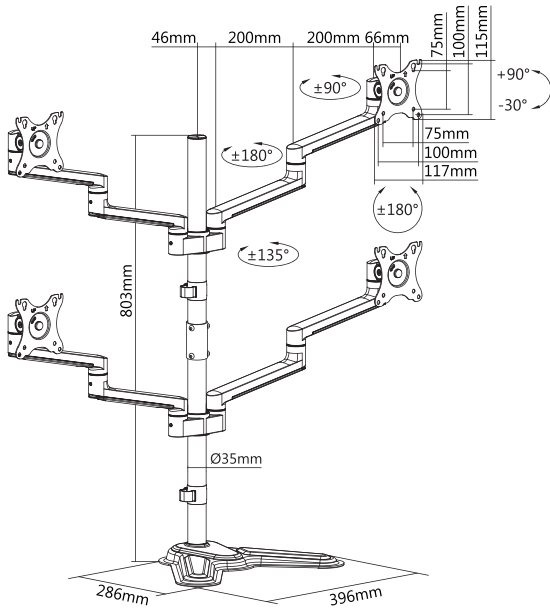
LDT72 Series

Premium Aluminum Articulating Monitor Arms & Stands

Brateck[®]
BRACKET TECHNOLOGY

For Quad Monitors

LDT72-T048



Item No.	LDT72-T048
Fit Screen Size	17"-32"
Weight Capacity	6kg/13.2lbs
VESA Compatible	75x75, 100x100
Tilt Range	+90°~-30°
Swivel Range	+90°~-90°
Screen Rotation	+180°~-180°
Material	Aluminum, Steel, Plastic