

LDT57 Series Multi-Display Monitor Arms

The LDT57 Series offer a solution for nearly every type of viewing need - from single monitor applications to multi-display configurations commonly **used in graphics, gaming, financial, or monitoring areas**. Build sales and profits for your business by adding more choice and selection in one of the fastest growing markets today.

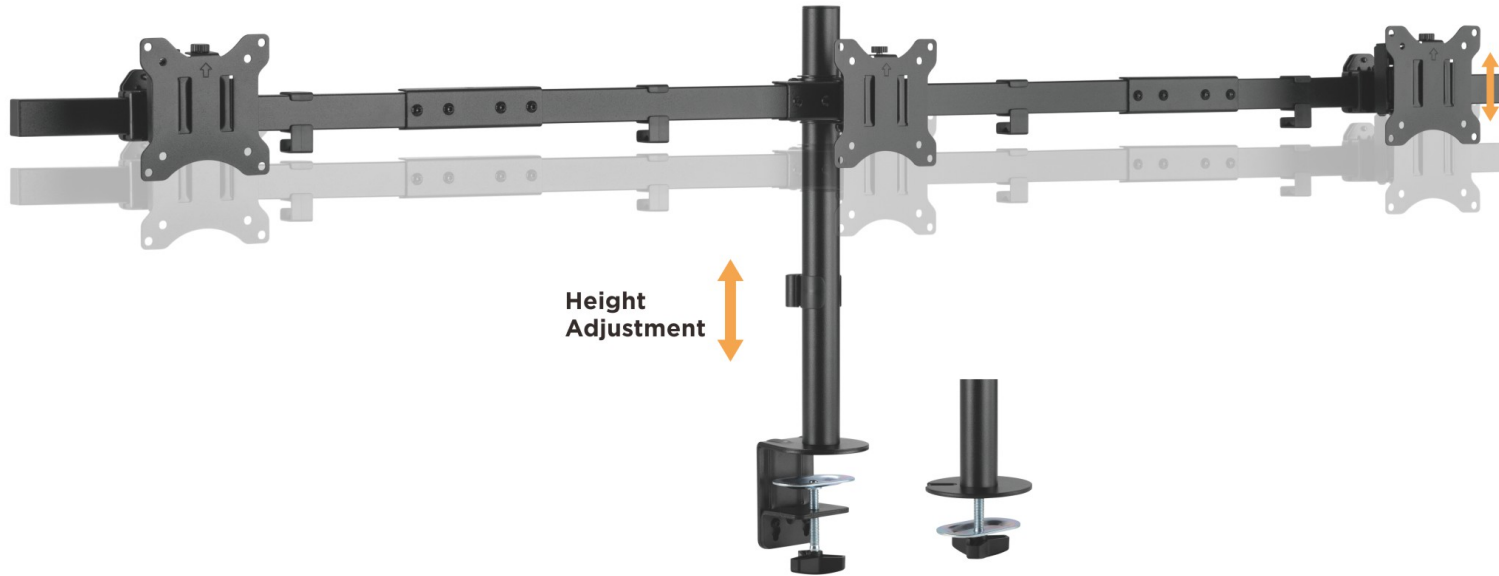


Available in various configurations for custom applications.

(For example, using three LDT57-T06 models to create a 18-screen mounting solution for monitoring room.)

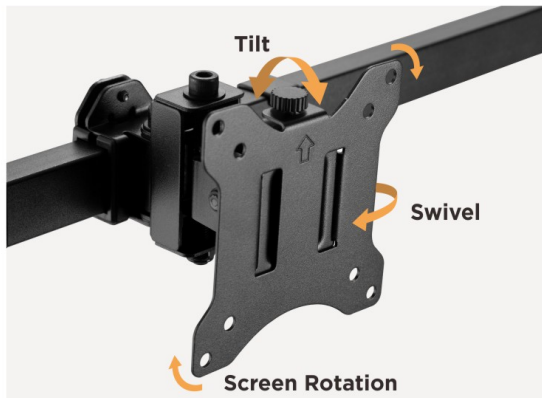


LDT57 Series Multi-Display Monitor Arms

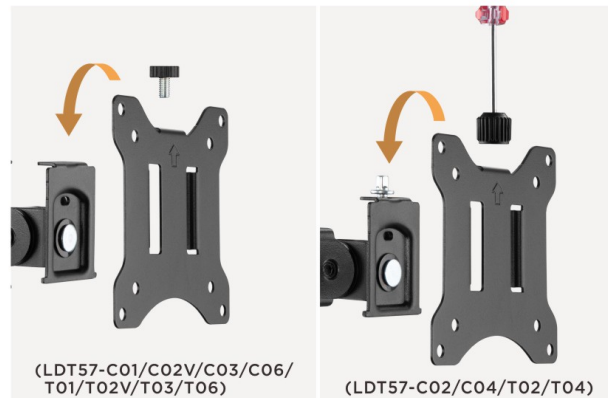


Independent VESA Height Adjustment
for easy, seamless alignment of displays

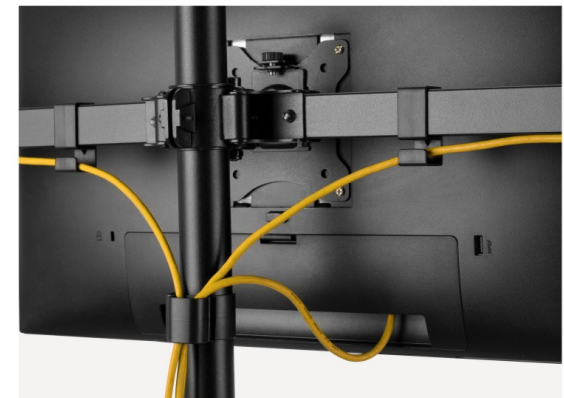
Height Adjustment



Adjusting Freely
for optimal ergonomic positions



Quick-Release VESA Plate
for easy installation


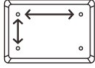
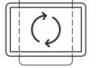

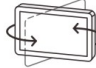

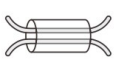


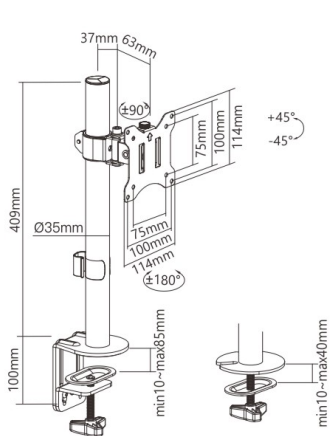
Cable Management Clips
reduce clutter while keeping everything organized

LDT57 Series Multi-Display Monitor Arms

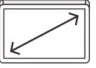
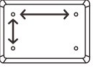


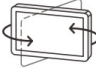

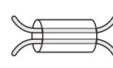


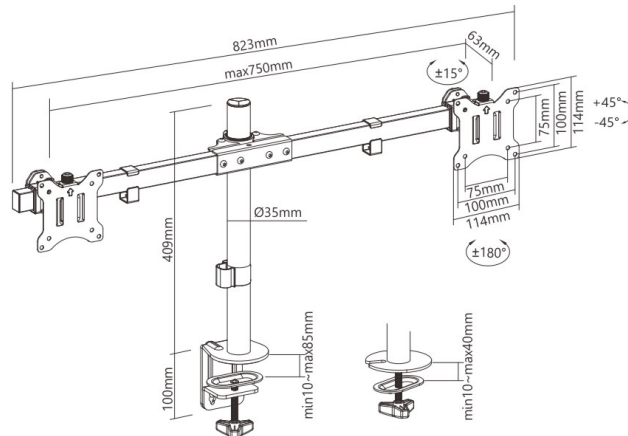
LDT57-C01 For single monitor

			
Screen Size 17"-32"	VESA Compatible 75x75 100x100	Screen Rotation 360°	Tilt Range +45° - -45°
			
Swivel Range +90° - -90°	Weight Capacity 9kg/19.8lbs	Cable Management	

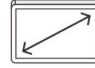
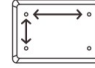


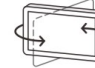

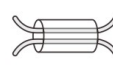


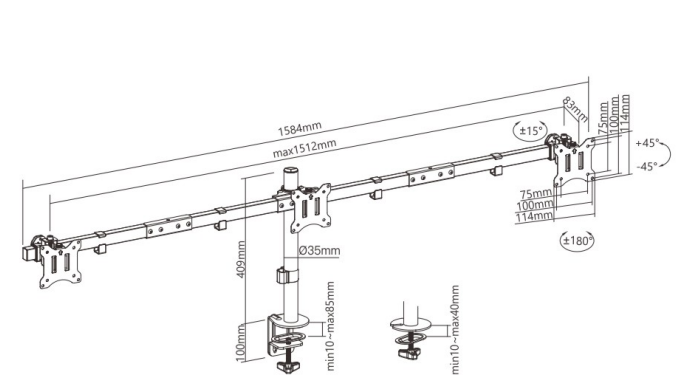
LDT57-C02 For dual monitors (2x1 array)

			
Screen Size 17"-32"	VESA Compatible 75x75 100x100	Screen Rotation 360°	Tilt Range +45° - -45°
			
Swivel Range +15° - -15°	Weight Capacity 9kg/19.8lbs (x2)	Cable Management	



LDT57-C03 For triple monitors (3x1 array)

			
Screen Size 17"-32"	VESA Compatible 75x75 100x100	Screen Rotation 360°	Tilt Range +45° - -45°
			
Swivel Range +15° - -15°	Weight Capacity 7kg/15.4lbs (x3)	Cable Management	

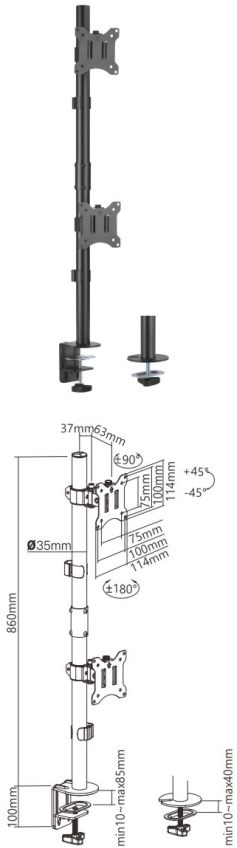


LDT57 Series Multi-Display Monitor Arms



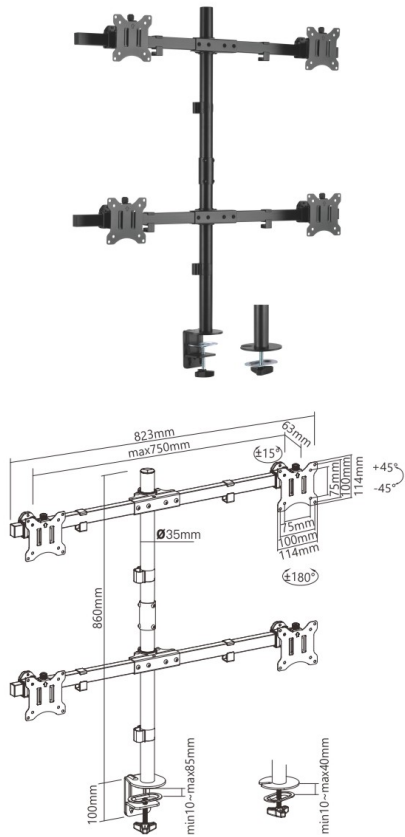
LDT57-C02V For dual monitors (1x2 array)

Screen Size 17"-32"	VESA Compatible 75x75 100x100	Screen Rotation 360°	Tilt Range +45° - -45°
Swivel Range +90° - -90°	Weight Capacity 9kg/19.8lbs (x2)	Cable Management	



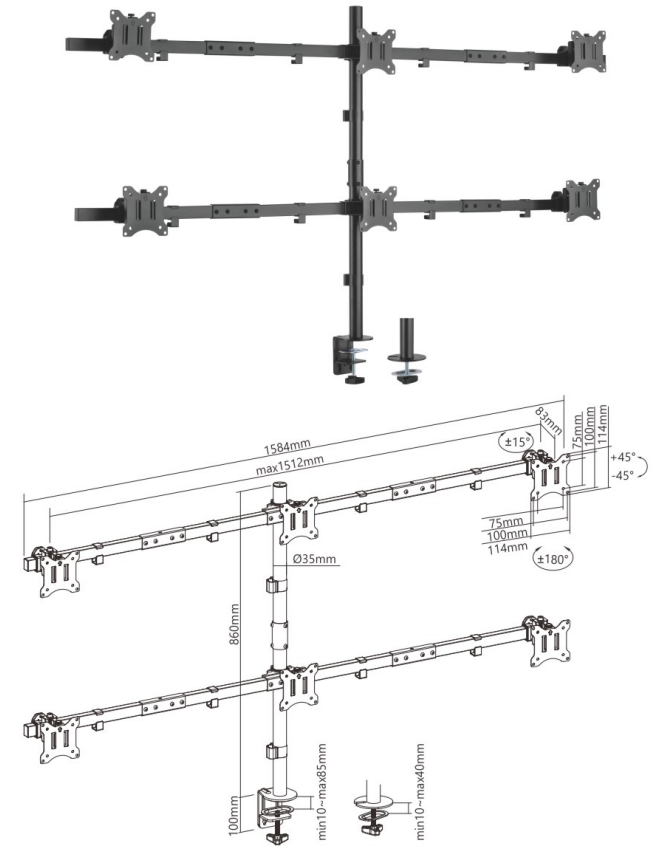
LDT57-C04 For quad monitors (2x2 array)

Screen Size 17"-32"	VESA Compatible 75x75 100x100	Screen Rotation 360°	Tilt Range +45° - -45°
Swivel Range +15° - -15°	Weight Capacity 9kg/19.8lbs (x4)	Cable Management	



LDT57-C06 For six monitors (3x2 array)

Screen Size 17"-32"	VESA Compatible 75x75 100x100	Screen Rotation 360°	Tilt Range +45° - -45°
Swivel Range +15° - -15°	Weight Capacity 7kg/15.4lbs (x6)	Cable Management	

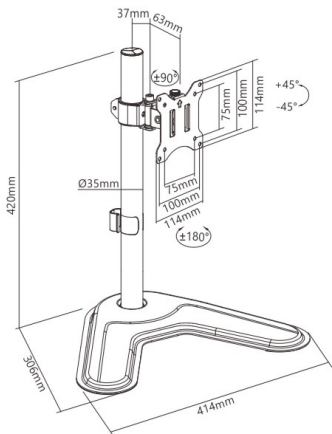


LDT57 Series Multi-Display Monitor Arms



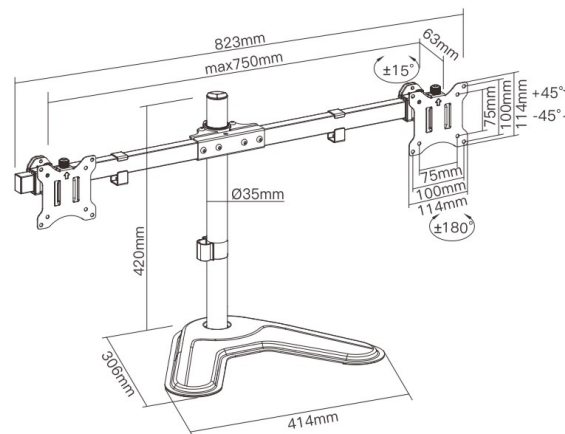
LDT57-T01 For single monitor

Screen Size 17"-32"	VESA Compatible 75x75 100x100	Screen Rotation 360°	Tilt Range +45° - -45°
Swivel Range +90° - -90°	Weight Capacity 9kg/19.8lbs	Cable Management	



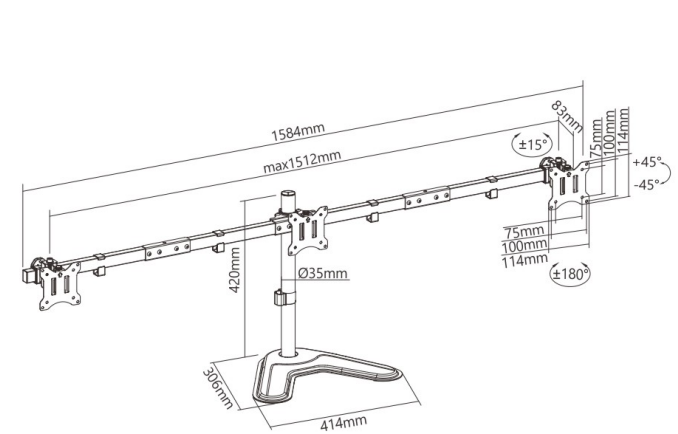
LDT57-T02 For dual monitors (2x1 array)

Screen Size 17"-32"	VESA Compatible 75x75 100x100	Screen Rotation 360°	Tilt Range +45° - -45°
Swivel Range +15° - -15°	Weight Capacity 9kg/19.8lbs (x2)	Cable Management	



LDT57-T03 For triple monitors (3x1 array)

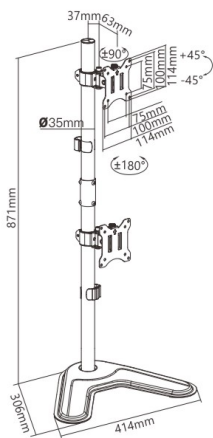
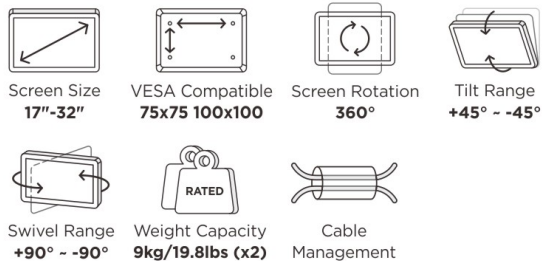
Screen Size 17"-32"	VESA Compatible 75x75 100x100	Screen Rotation 360°	Tilt Range +45° - -45°
Swivel Range +15° - -15°	Weight Capacity 7kg/15.4lbs (x3)	Cable Management	



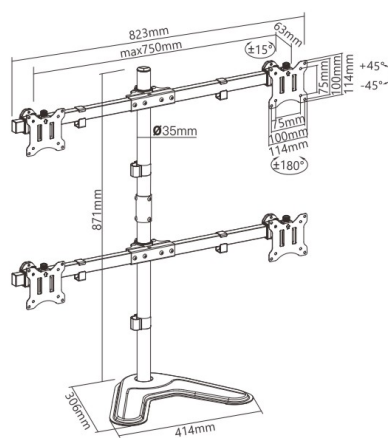
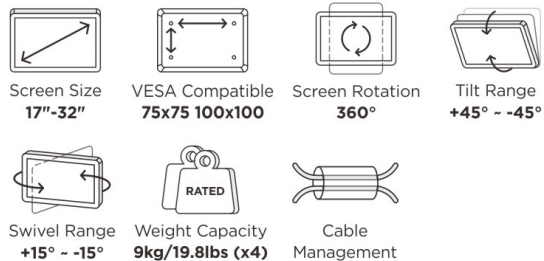
LDT57 Series Multi-Display Monitor Arms



LDT57-T02V For dual monitors (1x2 array)



LDT57-T04 For quad monitors (2x2 array)



LDT57-T06 For six monitors (3x2 array)

