



**LUMI**  
ergo

LDT49 Series

# Premium Slim Aluminum Spring-Assisted Monitor Arms

Featuring **slim arms and outstanding flexibility**, the LDT49 Series Monitor Arms combine great looks and smooth movement resulting in a better work experience. Ideal for applications requiring frequent display adjustments, including financial analysis, creative work and more.



LDT49 Series  
Overview Video

E-mail: [info@lumi.cn](mailto:info@lumi.cn) / [www.lumi.cn](http://www.lumi.cn)

## LDT49 Series

### Premium Slim Aluminum Spring-Assisted Monitor Arms

**LUMI**  
ergo



## Attention to Details

- 1 Tension Indicator**  
designed for spring tension alignment when installing multiple monitors
- 2 Built-in Spring Gauge**  
for perfect weight adjustments
- 3 Quick-Release VESA Plate**  
allows for effortless installation and removal
- 4 Rotation Stop**  
selectable 180°/360° movement to avoid hitting walls or partitions

# LDT49 Series

## Premium Slim Aluminum Spring-Assisted Monitor Arms



### Single Monitor

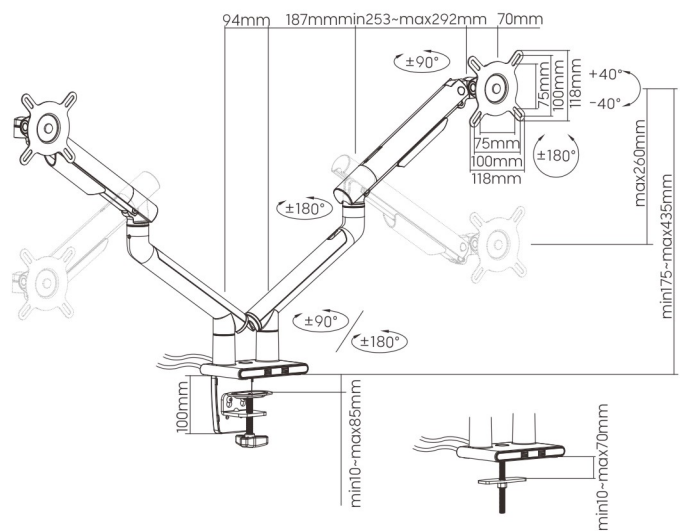
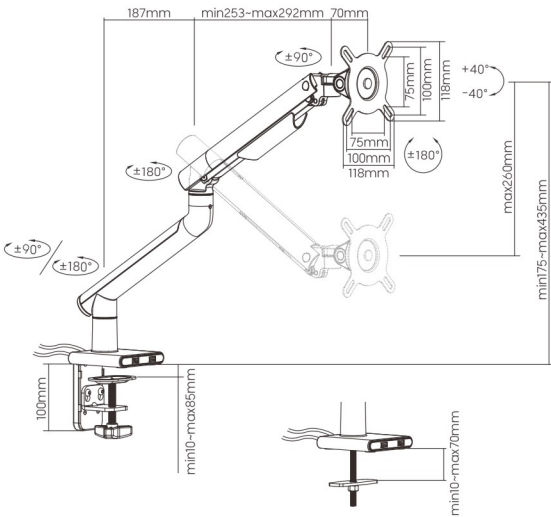
**LDT49-C012**

**LDT49-C012U** 2 x USB 3.0 Ports

### Dual Monitor

**LDT49-C024**

**LDT49-C024U** 2 x USB 3.0 Ports



Colors:

Item No.	LDT49-C012/LDT49-C012U/LDT49-C024/LDT49-C024U
Screen Size	17"-32"
Weight Capacity(per screen)	2-9kg/4.4-19.8lbs
VESA Compatible	75x75, 100x100
Tilt Range	+40°--40°
Swivel Range	+90°--90°
Screen Rotation	+180°--180°
Material	Aluminum, Steel, Plastic