

LDT30 Series

Premium Articulating Aluminum Monitor Arm

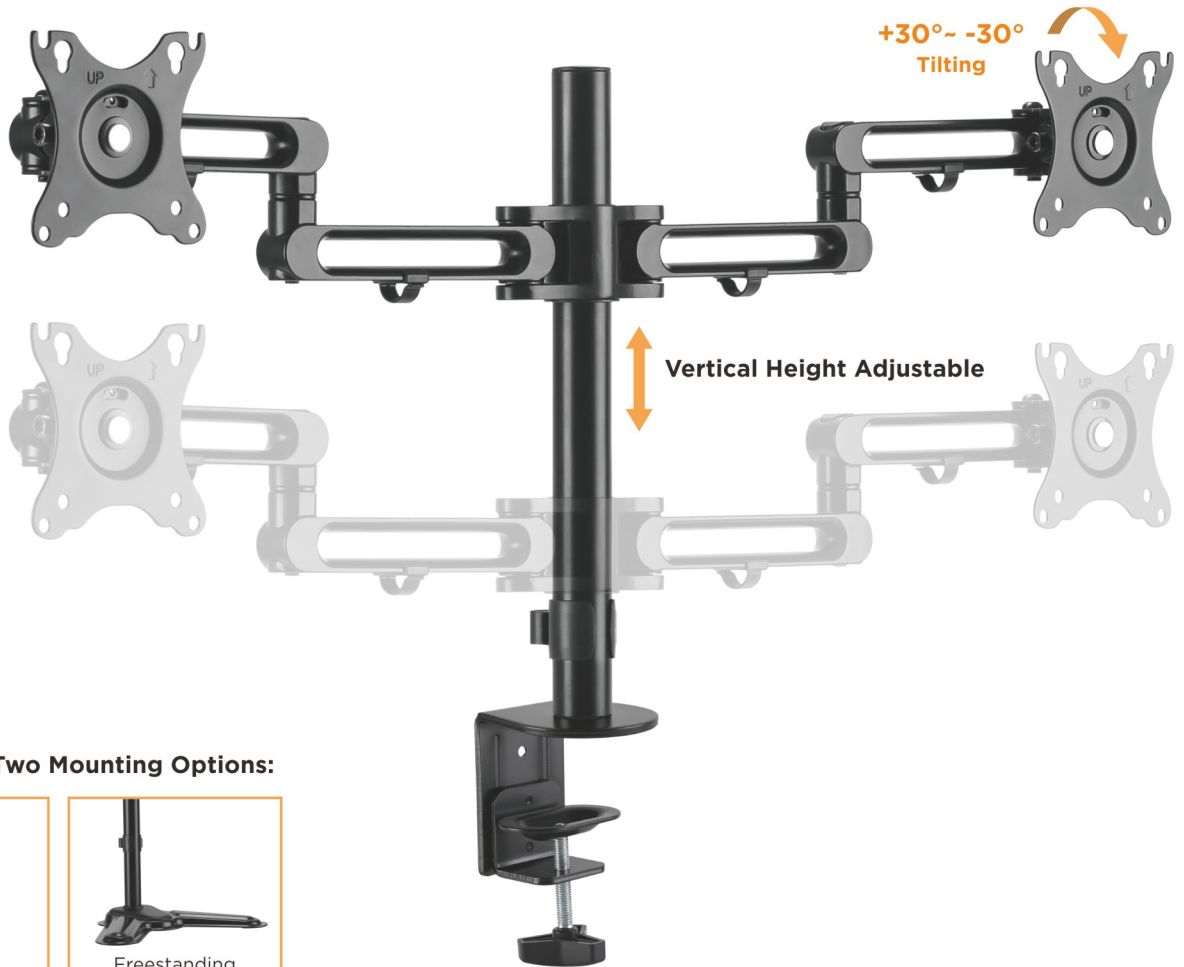
The LDT30 Series combines value and versatility into a single product solution. The aluminum arm creates a stylish and elegant look adding to any home or office décor. The flexible arm joint and rotating/tilting VESA plate allows the user to adjust the height and angle of monitors, offering the absolutely best viewing experience. The LDT30 Series is ideal for virtually any application due to its' ability to easily rotate between portrait and landscape orientation. Maximize your desktop space while providing the best viewing option for your eyes - choose the LDT30 Series today!



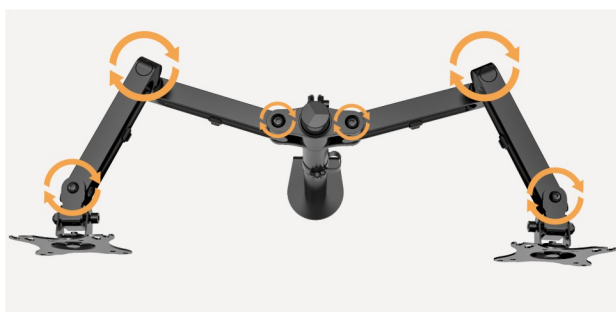
LDT30 Series

Premium Articulating Aluminum Monitor Arm

LUMI
ergo



Available in Two Mounting Options:



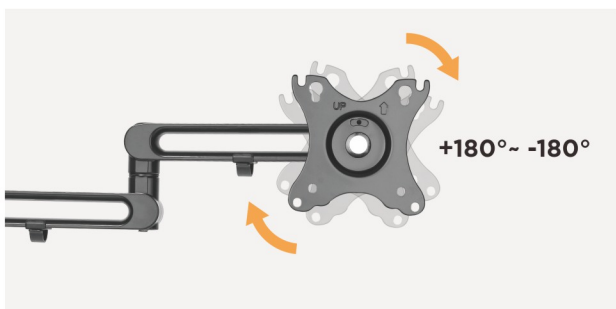
Versatile Movement

adjust monitors for optimal viewing experience



Keyhole Pattern VESA Slot

for quick attachment and detachment



Portrait or Landscape orientation

one solution fits any application



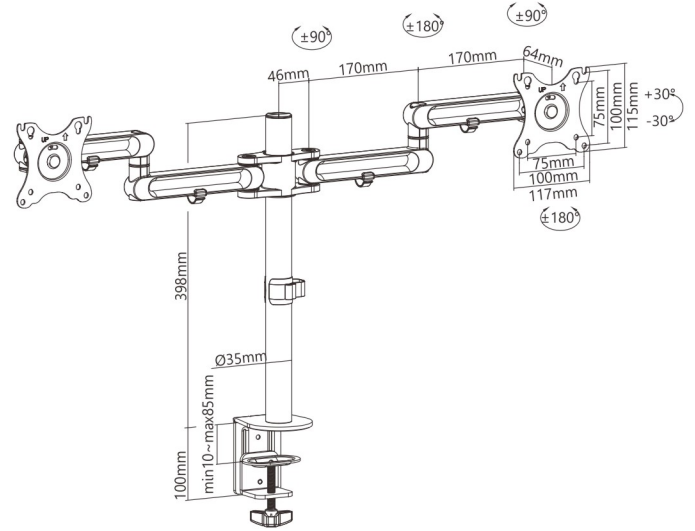
Cable Management

create a neat look

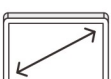
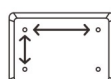


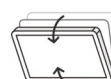
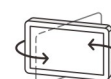
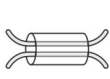
LDT30-C024 For Dual Monitors/ Full Extension/ Large Swivel

- 
 Screen Size
17"-32"
- 
 VESA Compatible
75x75 100x100
- 
 Weight Capacity
8kg/17.6lbs (x2)
- 
 Screen Rotation
+180°--180°
- 
 Tilt Range
+30° ~ -30°
- 
 Swivel Range
+90° - -90°
- 
 Cable Management

Colors:  



LDT30-C048 For Quad Monitors/ Full Extension/ Large Swivel

- 
 Screen Size
17"-32"
- 
 VESA Compatible
75x75 100x100
- 
 Weight Capacity
8kg/17.6lbs (x4)
- 
 Screen Rotation
+180°--180°
- 
 Tilt Range
+30° ~ -30°
- 
 Swivel Range
+90° - -90°
- 
 Cable Management

Colors:  

