

LDT23-C022D

Aluminum Heavy-Duty Gas Spring Dual Monitor Arm

**Fits Monitors from 17" to 32"
and Holds Up to 8kg/17.6lbs**
allowing even the largest and
heaviest monitors to position
with ease - move up, down,
forward and back with
a gentle touch.



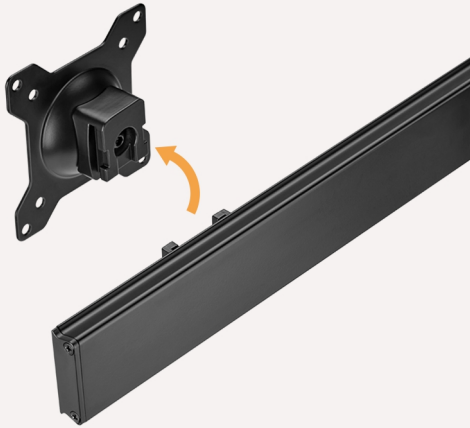
LDT23-C022D

Aluminum Heavy-Duty Gas Spring Dual Monitor Arm

Brateck[®]
BRACKET TECHNOLOGY

Quick-Release VESA Plate

mount or remove the monitor in mere seconds



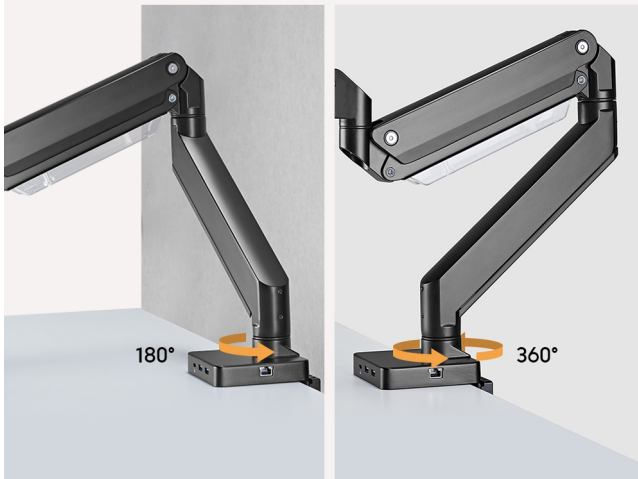
Gas Spring Mechanism

counterbalances the weight of the monitor



180° Rotation Stop

prevents the arm from hitting adjacent
partitions and walls



Rear Tool Holder

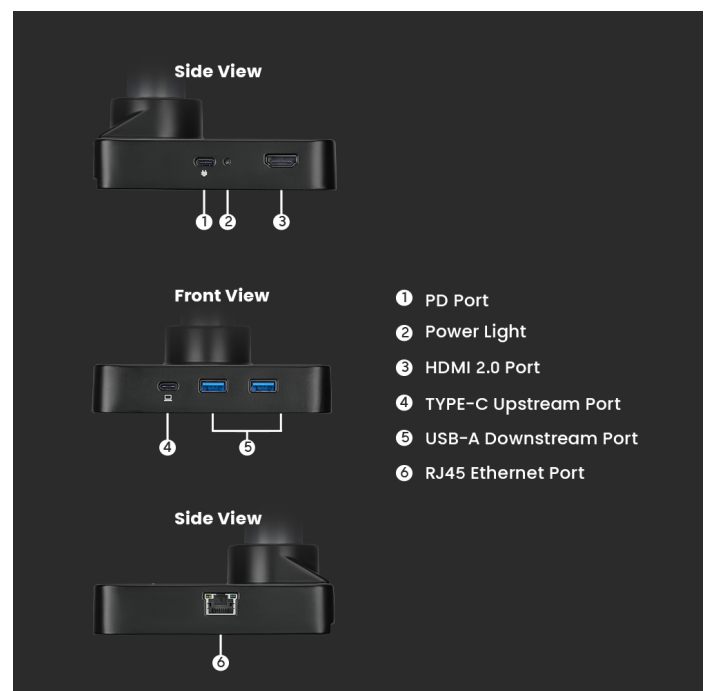
easy access for any future adjustment



LDT23-C022D

Aluminum Heavy-Duty Gas Spring Dual Monitor Arm

Brateck®
BRACKET TECHNOLOGY



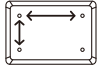
LDT23-C022D

Aluminum Heavy-Duty Gas Spring Dual Monitor Arm

LDT23-C022D



Screen Size
17"-32"



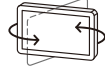
VESA Compatible
75x75 100x100



Weight Capacity
**1-8kg/2.2-17.6lbs
(x2)**



Tilt Range
+10° - -10°



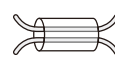
Swivel Range
+10° - -10°



Screen Rotation
+180° - -180°



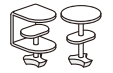
Detachable
VESA Plate



Cable
Management



Curved Monitor



Clamp & Grommet
Installation

