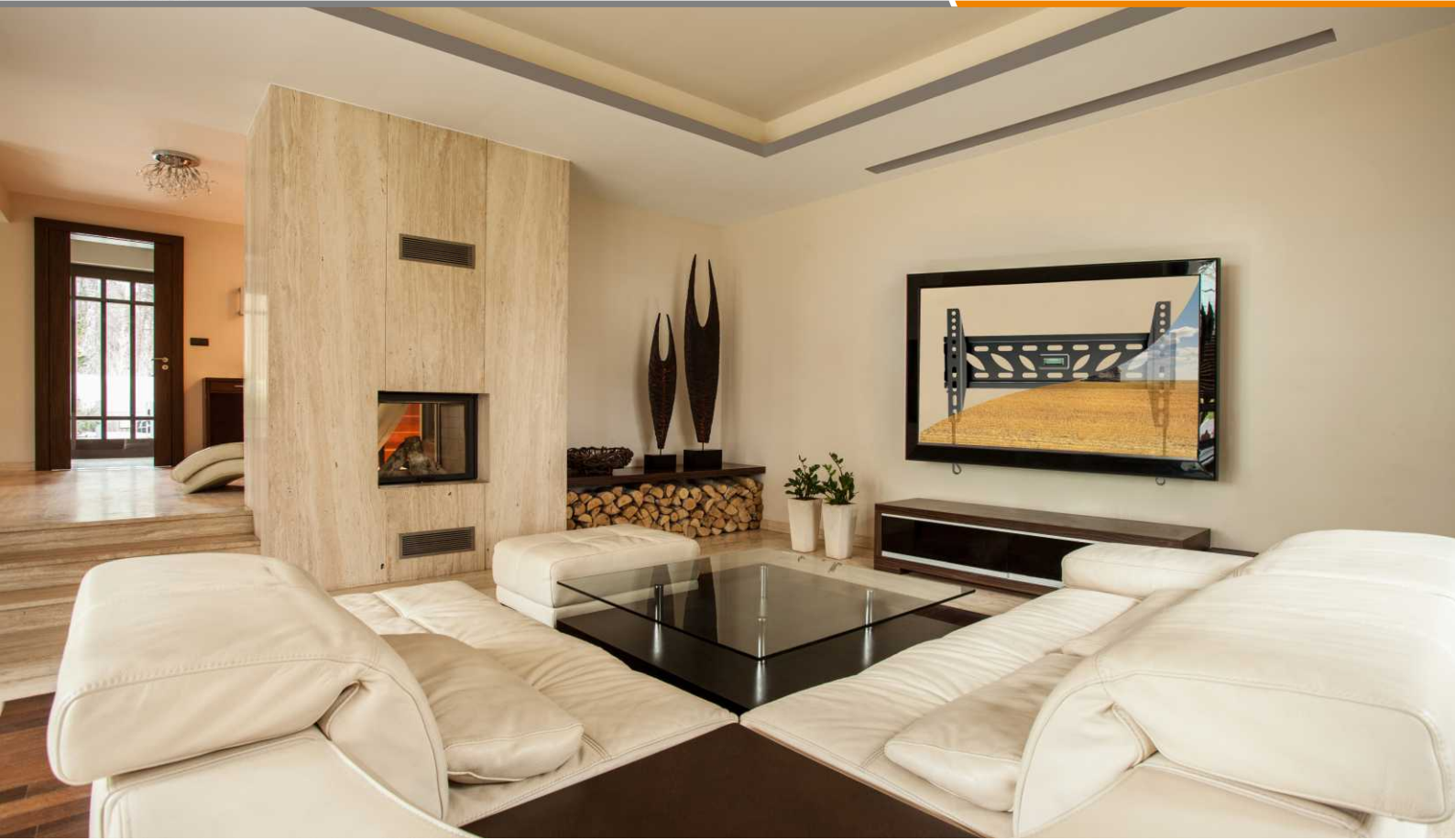


# TV WALL MOUNT

For LCD/ LED TVs

For most **32"-55"** Flat Panel TVs

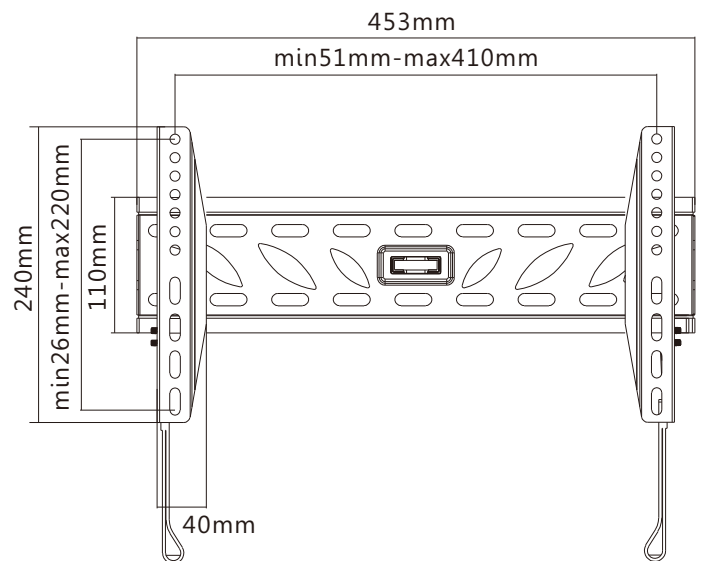
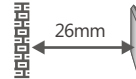


**LP10-24F**

**FIXED**

**32"-55"**  
MOST  
MAX.VESA 400x200

rated  
**50kg/110lbs**



100x100 200x100  
200x200 400x200



Bubble Level



Spring Lock



Three Times  
Strength  
Tested