

HA-ALARM-PIR2 Dual-Tech Detector



HA-ALARM-PIR2 series of dual-tech detectors are equipped with K-Band 24GHz microwave and 3D fresnel lens technology. Non-interfering technology allowing back to back installation and no penetration through the wall. It allows the detector to be installed and setup quicker than traditional DT's giving time and cost saving advantages to the installer.

- Detection Range: 12m / 85.9°
- Up to 30kg pey immunity
- Automatic sensitivity
- Digital temperature compensation
- 52 zones of 3D optics including creep-zone protection, full coverage without dead angle
- selectable EOL resistors for alarm and tamper-proof wiring
- Sealed optics preventing insect interference
- 24Ghz microwave
- 9 to 16 V wide voltage adaptation with polarity reverse connection protection
- Wall/Ceiling-mounting brackets available (sold separately)
- IFT technology prevents false alarms

▪ Approval

EN Grade 2	
	CE
	FCC
	CB
	CCC
	IC
	RCM

▪ Specification

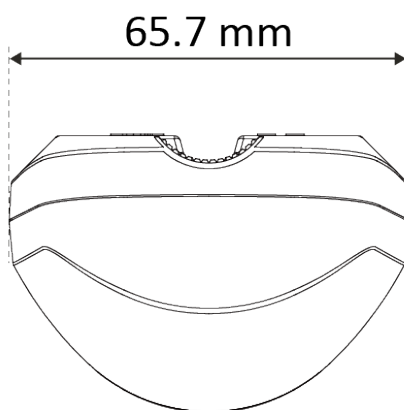
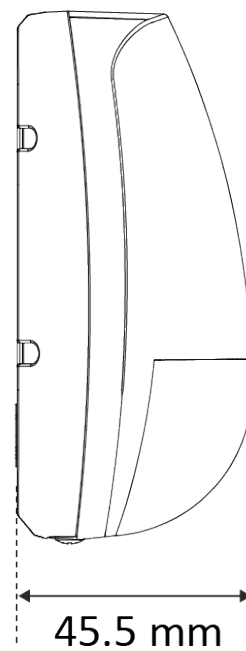
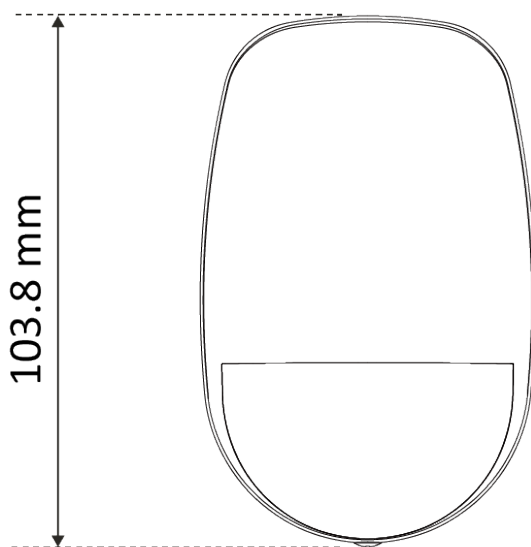
Detection Performance	
Detection Method	Passive Infrared, Microwave
Detection Range	12m
Detection Angle	85.9°
Detection Zones	52
Detectable Speed	0.3 ~ 2m/s
Sensitivity	Auto, Pet
Pet Immunity	30Kg
White Light Filter	6500lux
Microwave Frequency	24GHz(24.15 ~ 24.25GHz)
Digital Temperature Compensation	Support
Creep Zone Protection	Support
Feature	
Digital Processing	Support
Sealed Optics	Support
Tamper Protection	Front
Interface	
Alarm Output	Normally Closed
LED Indicator	Green(PIR), Orange(Microwave), Blue(Alarm)
Transmission	
Transmission Method	Wired
Electrical Characteristics	
Power Supply	9 to 16 VDC
Typical Voltage	12 VDC
Power Consumption	Maximum current: 17mA@12VDC Quiescent current: 17mA@12VDC
General	
Operation Temperature	-10 °C to 55 °C (14 °F to 131 °F)
Storage Temperature	-20 °C to 60 °C (-4 °F to 140 °F)
Operation Humidity	10% to 90%
Dimension(WxHxD)	65.7 mm (2.59 ") × 103.8 mm (4.09 ") × 45.5 mm (1.79 ")

Weight	99g (3.5 oz)
Mounting Height	1.8 m to 2.4 m
Mounting Method	Wall
Application Scenario	Indoor
Bracket	Optional wall & ceiling accessory

▪ **Available Model**

HA-ALARM-PIR2

▪ **Dimension**



▪ **Accessory**

▪ **Optional**

DS-PDB-IN-Wallbracket Internal wall mounted bracket	DS-PDB-IN-Ceiling bracket Internal ceiling mounted bracket	DS-PDB-IN-UBKT1 Internal universal bracket1	DS-PDB-IN-UBKT2 Internal universal bracket2	DS-PDB-IN-UBKT1/ Europe BLACK DS-PDB-IN-UBKT1/ Europe BLACK
				

HiLook

Headquarters

No.555 Qianmo Road, Binjiang District,
Hangzhou 310051, China
T +86-571-8807-5998
Technical Support: support@hikvision.com

Follow us on social media to get the latest product and solution information.

