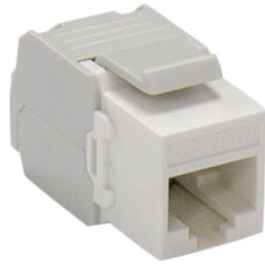


CAT6A KEYSTONE JACKS

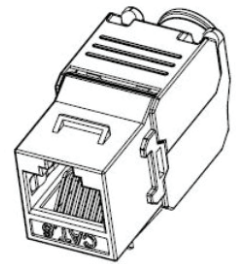
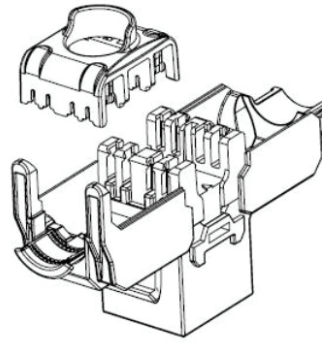
FP-C6AUTP-TLBK
FP-C6AUTP-TLWH



FP-C6-TLBK



FP-C6-TLWH



FEATURES:

- Punch & tooless patent design
- RJ45 8P 8C 50u Jack
- Component level tested & certified
- IDC Compatible with 110 and Krone tool
- Terminating 4 pairs, 23-26 AWG cable
- Universal labels colour-coded for T568A and T568B wiring schemes
- Slimline design fits 1U port high-density keystone unloaded panel

PRODUCT SPECIFICATIONS

MODEL CODE	TYPE
Wiring	T568A & T568B
Insertion force	20N Max
Retention strength	7.7kg between jack and plug
Operating temperatures	-10°C ~ 60°C
Life cycles	Jack: 750 min IDC: Suitable for 23 - 26AWG stranded and solid wire, Compatible with both 110 & krone punch down tool Tooless: When using the IDC CAP for wire management
Compliance	Standard ANSI/TIA 568 C.2, ISO/IEC 11801: 2011 (Ed 2.2), IEC 60603-7-4: 2010 (Ed 2.0), EN 50173-1: 2011, EN 50173-2: 2007 including amendment A1: 2010, ANSI/TIA-568-C.2: 2009, IEC 60512-99-001: 2012 (Ed 1.0)