

S11E Series

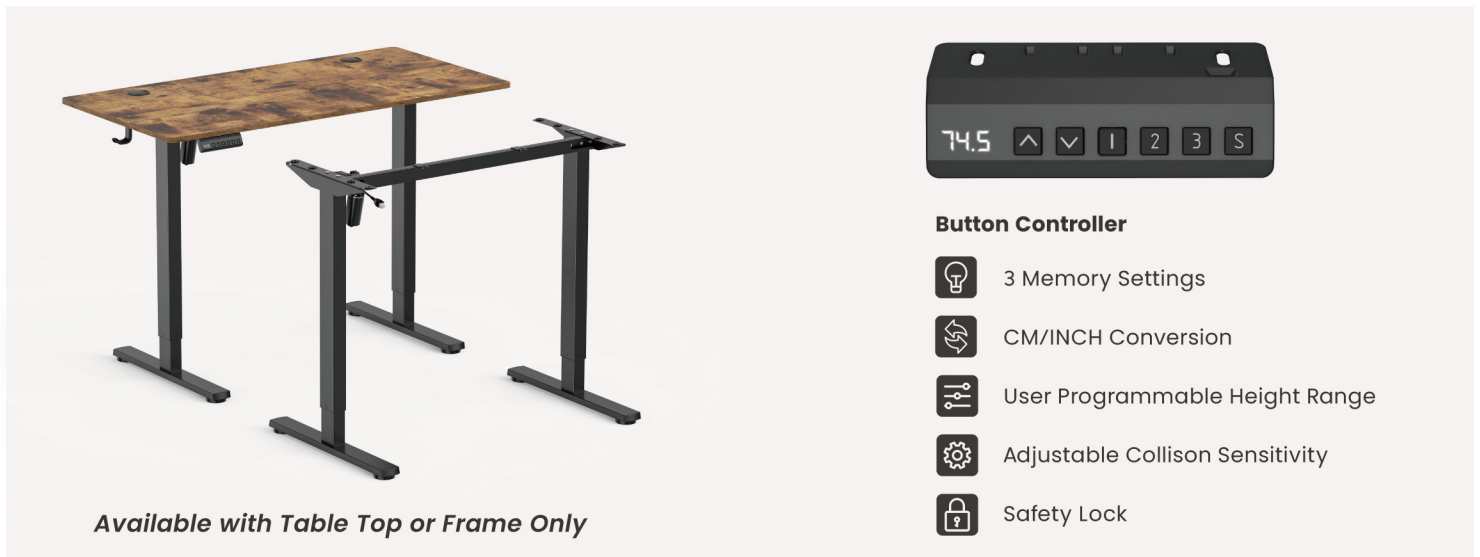
Basic Single-Motor Sit-Stand Desks

High Performance / Comfort / Aesthetics / Affordability






LUMI
ergo



- Powerful lifting column
- Quiet motion
- Eye-pleasing finish



Button Controller

-  3 Memory Settings
-  CM/INCH Conversion
-  User Programmable Height Range
-  Adjustable Collision Sensitivity
-  Safety Lock

Available with Table Top or Frame Only



Current Collision Avoidance System

for precise detection of objects when moving up and down



Cable Management Holes

for an organized and clean look

S11E Series
Basic Single-Motor Sit-Stand Desks

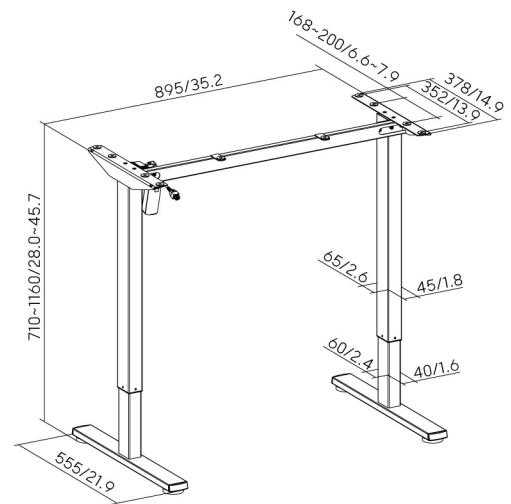
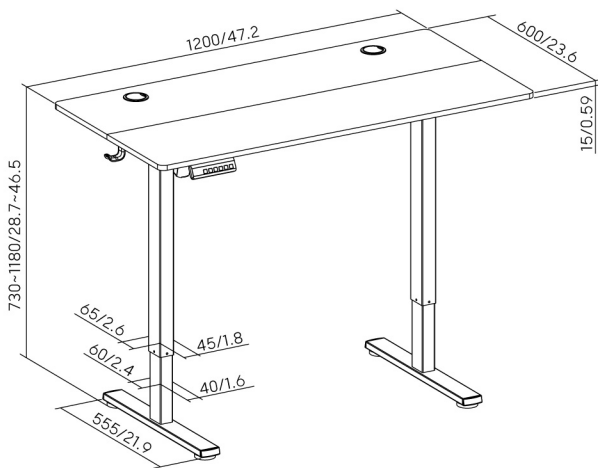


Split Table Top
for compact packages and
reducing shipping costs

Dimensions (mm/inch)

S11-22RE-B with Desktop

S11-22RE



Item No.	S11-22RE-B	S11-22RE
Tabletop Size	1200×600×15mm (47.2"×23.6"×0.6")	/
Height Range	730~1180mm (28.7"~46.5")	710~1160mm (28"~45.7")
Weight Capacity	40kg (88lbs)	50kg (110lbs)
Max. Speed	15mm/s	15mm/s
Power Input	100~240V	100~240V
Color	<input checked="" type="checkbox"/> <input checked="" type="checkbox"/> <input type="checkbox"/> (Frame + Desktop)	<input checked="" type="checkbox"/> <input type="checkbox"/> (Frame Only)