

VENTED OUTDOOR WALL MOUNT CABINETS - IP45

DESCRIPTION

Our DYNAMIX IP45 vented outdoor wall mounted cabinets are an ideal solution to protect sensitive electronic networking equipment from harsh and demanding environments specifically where equipment may be exposed to dust and water. Constructed from highly durable material the DYNAMIX wall mount cabinets come fully assembled and supplied complete including rain hood, detachable rear wall mount bracket, dual locking system, grounding pin, and dual extraction fans. The cabinets are available in a wide variety of sizes to suit most projects.

FEATURES

- Weatherproof IP45 rated
- Dual fan kit included in roof
- Rain hood can be opened to access fans & filter
- Serviceable filters & air vents on the front door
- Front door has 130° of movement, swinging from left to right
- Sealed bottom entry gland
- Static Loading: 60kg
- Adjustable 19" front & rear rack mount rails
- Water & dust proof polyurethane door joint strip
- Optional plinths available to floor mount cabinets
- Wall mount fix & hang bracket included
- Fully welded design, supplied complete, no assembly required
- Made from cold rolled steel
- Powder coated
- Lockable front door
- 2 Year warranty on cabinet & 1 year warranty on fans



GALVANIZED STEEL VENTED OUTDOOR WALL MOUNT CABINETS

MODEL CODE	HEIGHT	COLOUR	W X D X H (INTERNAL)	W X D X H (EXTERNAL)	INCLUDES
RODW9-400FK	9U	Grey	600x400x475mm	611x473x560mm	Dual extraction fans, input/output air filters
RODW9-600FK	9U	Grey	600x600x475mm	611x673x560mm	Dual extraction fans, input/output air filters
RODW12-400FK	12U	Grey	600x400x600mm	611x473x685mm	Dual extraction fans, input/output air filters
RODW12-600FK	12U	Grey	600x600x600mm	611x673x685mm	Dual extraction fans, input/output air filters
RODW18-400FK	18U	Grey	600x400x875mm	611x473x960mm	Dual extraction fans, input/output air filters
RODW18-600FK	18U	Grey	600x600x875mm	611x673x960mm	Dual extraction fans, input/output air filters
RODW24-400FK	24U	Grey	600x400x1150mm	611x473x1235mm	Dual extraction fans, input/output air filters
RODW24-600FK	24U	Grey	600x600x1150mm	611x673x1235mm	Dual extraction fans, input/output air filters

STAINLESS STEEL VENTED OUTDOOR WALL MOUNT CABINETS

MODEL CODE	HEIGHT	COLOUR	W X D X H (INTERNAL)	W X D X H (EXTERNAL)	INCLUDES
RODWSS9-400FK	9RU	Silver	600x400x475mm	611x473x560mm	Dual extraction fans, input/output air filters
RODWSS9-600FK	9RU	Silver	600x600x475mm	611x673x560mm	Dual extraction fans, input/output air filters
RODWSS12-400FK	12RU	Silver	600x400x600mm	611x473x685mm	Dual extraction fans, input/output air filters
RODWSS12-600FK	12RU	Silver	600x600x600mm	611x673x685mm	Dual extraction fans, input/output air filters
RODWSS18-400FK	18RU	Silver	600x400x875mm	611x473x960mm	Dual extraction fans, input/output air filters
RODWSS18-600FK	18RU	Silver	600x600x875mm	611x673x960mm	Dual extraction fans, input/output air filters
RODWSS24-400FK	24RU	Silver	600x400x1150mm	611x473x1235mm	Dual extraction fans, input/output air filters
RODWSS24-600FK	24RU	Silver	600x600x1150mm	611x673x1235mm	Dual extraction fans, input/output air filters

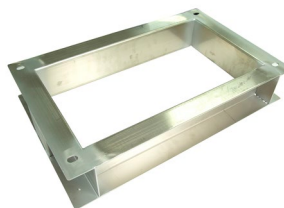
ADD A PLINTH & MAKE IT A FLOOR MOUNT CABINET



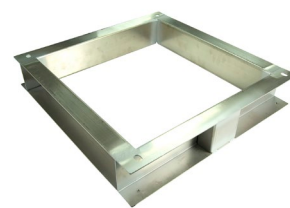
RODWPL-400



RODWPL-600



RODWPLSS-400

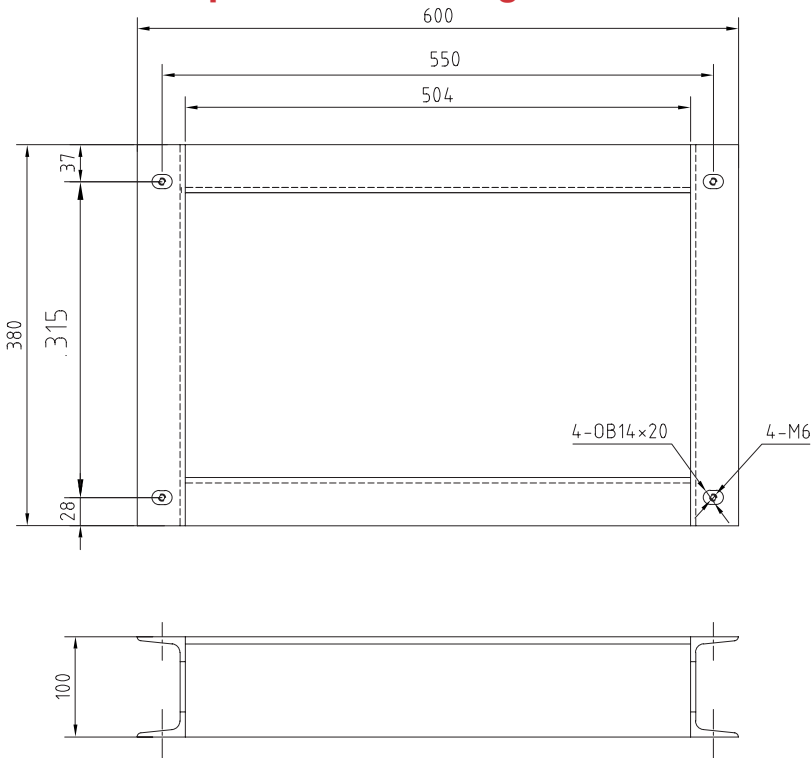


RODWPLSS-600

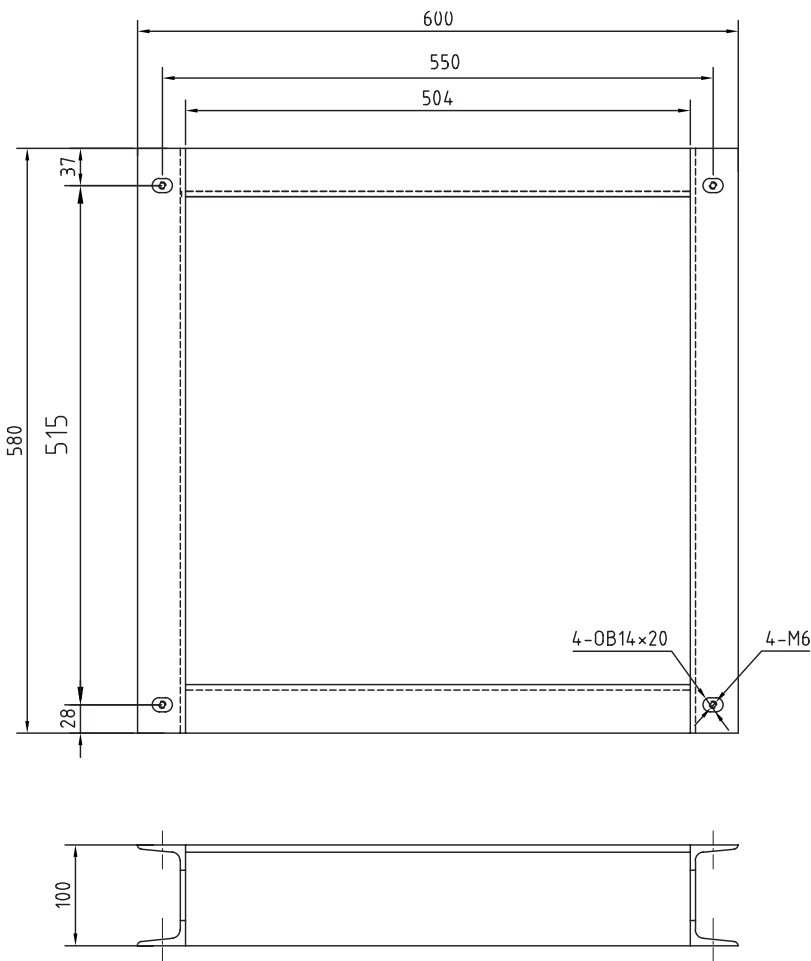
MODEL CODE	COLOUR	W X D X H	INCLUDES
RODWPL-400	Grey	600x400x100mm	Fixings
RODWPL-600	Grey	600x600x100mm	Fixings
RODWPLSS-400	Silver	600x400x100mm	Fixings
RODWPLSS-600	Silver	600x600x100mm	Fixings



400mm Deep Plinth - Drawing



600mm Deep Plinth - Drawing



Please note we took the up-most care to compile the information in this datasheet. To the best of our knowledge all info provided were correct at the time of creation. Should any specs change we try to update info accordingly. Information are subject to change without notice. In the case that you find any irregularity please inform our team at contactus@dynamix.co.nz
Last updated: 30 May 2024

