

PP-C6AUTP-24

DESCRIPTION

Introducing the DYNAMIX Cat6A 180 Unshielded Keystone Patch Panel, your ultimate solution for streamlined network organization and performance. This 24-port panel, designed with meticulous attention to detail, offers unparalleled connectivity and cable management capabilities, all housed within a sleek 1U form factor. Equipped with 24x FP-C6AUTP-02BK Keystone Jacks, this panel ensures high-speed data transfer rates and reliable connections for your Cat6A network infrastructure. Whether you're upgrading an existing system or setting up a new network, the DYNAMIX Cat6A 180 Unshielded Keystone Patch Panel delivers the reliability and efficiency your network demands, making it an essential component for any modern IT environment.

FEATURES

- 24-port Cat6A 180 Unshielded Keystone Patch Panel
- 1U form factor for efficient rack space utilization
- Includes 24x FP-C6AUTP-02BK Keystone Jacks for reliable connections
- Supports high-speed data transfer rates for Cat6A networks
- Designed with cable management features for a neat and organized setup
- Ideal for upgrading existing networks or setting up new ones
- Ensures reliable connectivity and optimal performance for modern IT environments



PP-C6AUTP-24

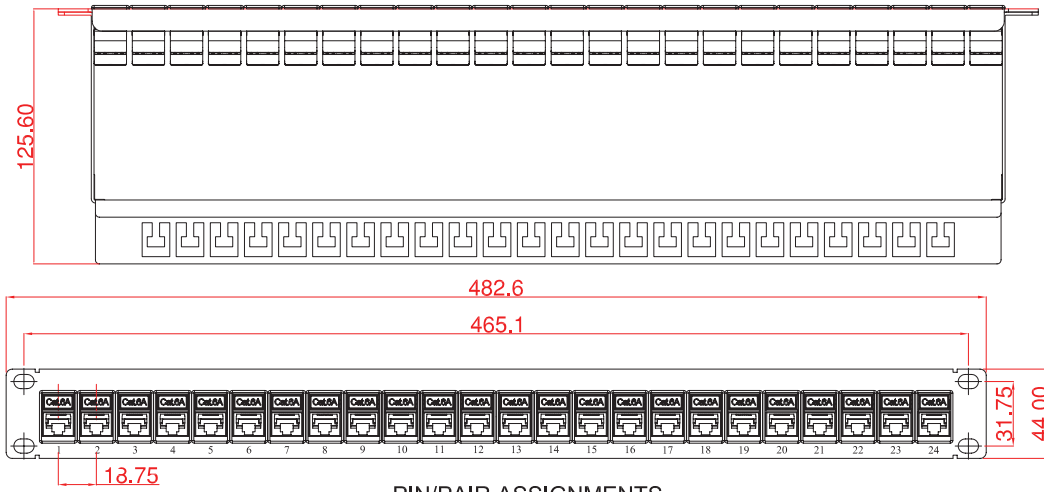
FP-C6AUTP-02BK
(x24 Included)

Please note we took the up-most care to compile the information in this datasheet. To the best of our knowledge all info provided were correct at the time of creation. Should any specs change we try to update info accordingly. Information are subject to change without notice. In the case that you find any irregularity please inform our team at contactus@dynamix.co.nz

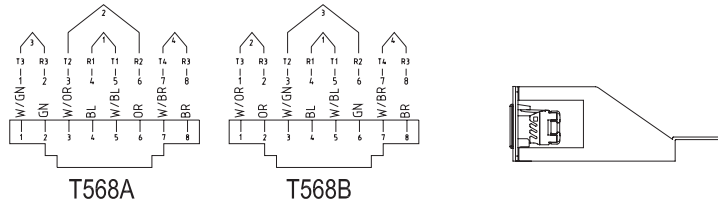
Last updated: 15 May 2024



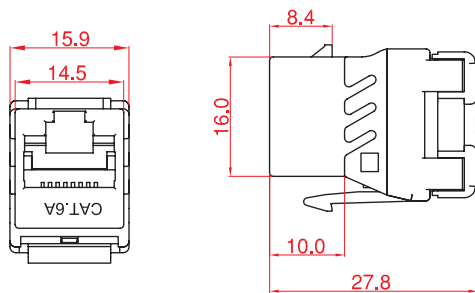
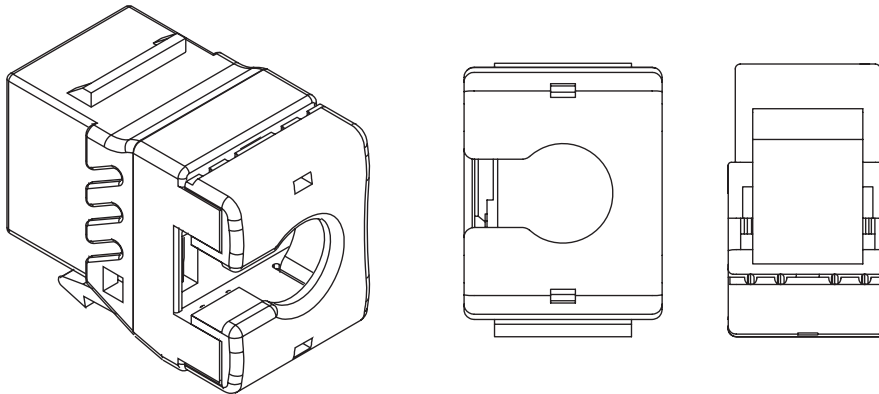
PP-C6AUTP-24



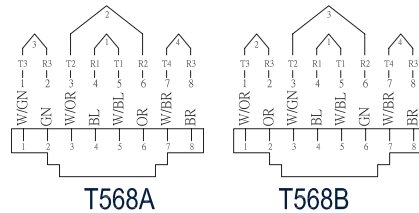
PIN/PAIR ASSIGNMENTS



FP-C6AUTP-02BK



PIN/PAIR ASSIGNMENTS



Please note we took the up-most care to compile the information in this datasheet. To the best of our knowledge all info provided were correct at the time of creation. Should any specs change we try to update info accordingly. Information are subject to change without notice. In the case that you find any irregularity please inform our team at contactus@dynamix.co.nz

Last updated: 15 May 2024



PP-C6AUTP-24

| SPECIFICATION | DESCRIPTION |
|---------------|-------------|
| Patch Panel | SECC/SGCC |
| Body Material | Plastic |

FP-C6AUTP-02BK

| SPECIFICATION | DESCRIPTION |
|------------------------|---|
| Keystone Jack Housing | Plastic |
| Keystone Jack Terminal | Phosphor Bronze, 50u" gold plated over nickel plated in contact area Tin over nickel in solder area |
| IDC Housing | Plastic |
| IDC Terminal | Phosphor Bronze, nickel plated 50-60 micro-inch. |
| P.C.Board | FR-4,T=1.6mm. |
| Operation Temperature | -10°C to 60°C |
| Insertion Force | 900gms for 8 contacts |
| Retention | 7.7 kgs between jack and plug |
| Durability | 750 Cycles contact resistance test check every 100 Cycles.Insertion cycles at 20 cycles/minute max |
| Supports | T568A & T568B wiring compatible with Category 6A requirement |

100% Open/Short Testing.

ELECTRICAL

| SPECIFICATION | DESCRIPTION |
|---------------------------------|-------------|
| Current rating | 1.5 Amps |
| Insulation resistance | 500 MΩ |
| Contact resistance | 20 mΩ |
| DC resistanc | 0.1Ω |
| Dielectric withstanding voltage | 500v |

Please note we took the up-most care to compile the information in this datasheet. To the best of our knowledge all info provided were correct at the time of creation. Should any specs change we try to update info accordingly. Information are subject to change without notice. In the case that you find any irregularity please inform our team at contactus@dynamix.co.nz

Last updated: 15 May 2024

