

LUMI
ergo

LDT80 Series

SUPER HEAVY-DUTY Gas Spring Monitor Arms

Keep Pace with Technology Trends



27 KG

Max Load
(59.4 lbs)



LDT80 Series
Super Heavy-Duty Gas Spring Monitor Arms

LUMI
ergo

Strong Enough to Fit most Flat and Curved Screens Up to 57"



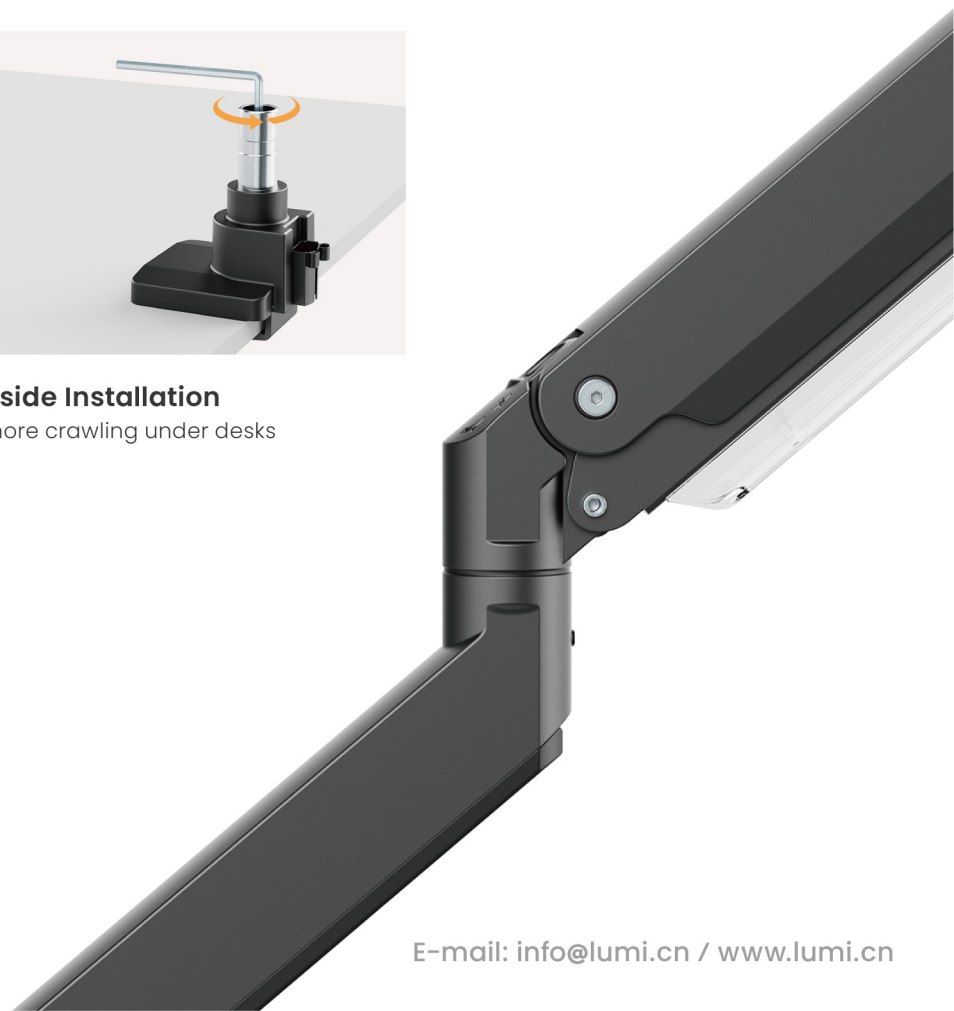
Quick-Release VESA Plate
for quick installation and removal



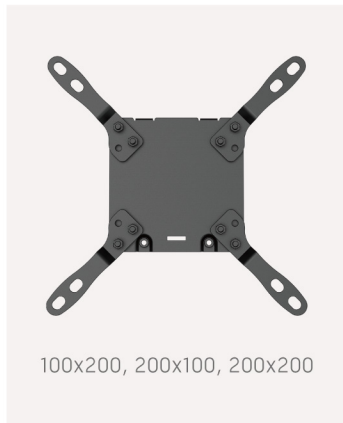
Topside Installation
no more crawling under desks



Optimized Tilting Structure
ensures smooth and safe adjustments



LDT80 Series
Super Heavy-Duty Gas Spring Monitor Arms

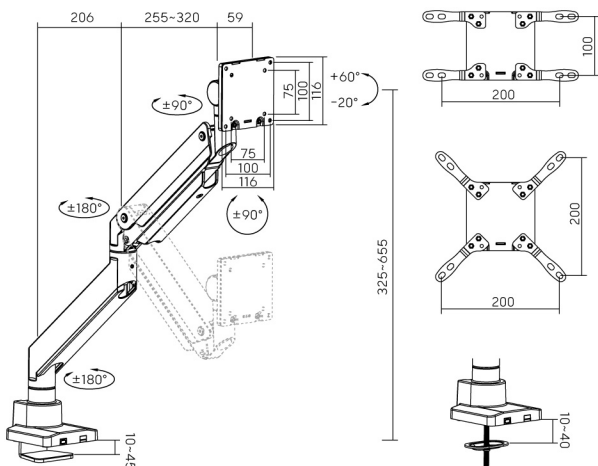


Include VESA Adapters
 fit monitors with different VESA patterns

Optional USB Access
 snap-off plates on the base for data transfer or charging (LDT80-C012UC only)

Dimensions (mm)

LDT80-C012
LDT80-C012UC with USB-A & USB-C ports



Item No.	LDT80-C012 / LDT80-C012UC
Fit Screen Size	17"-57"
Weight Capacity (flat screen)	2~27kg (4.4lbs~59.4lbs)
Weight Capacity (curved screen)	2~22kg (4.4lbs~48.4lbs)
Tilt Range	+60°~-20°
Swivel Range	+90°~-90°
Screen Rotation	+90°~-90°
Material	Aluminum, Steel, Plastic