

LDT12 Series

Economical Steel Articulating Monitor Arms

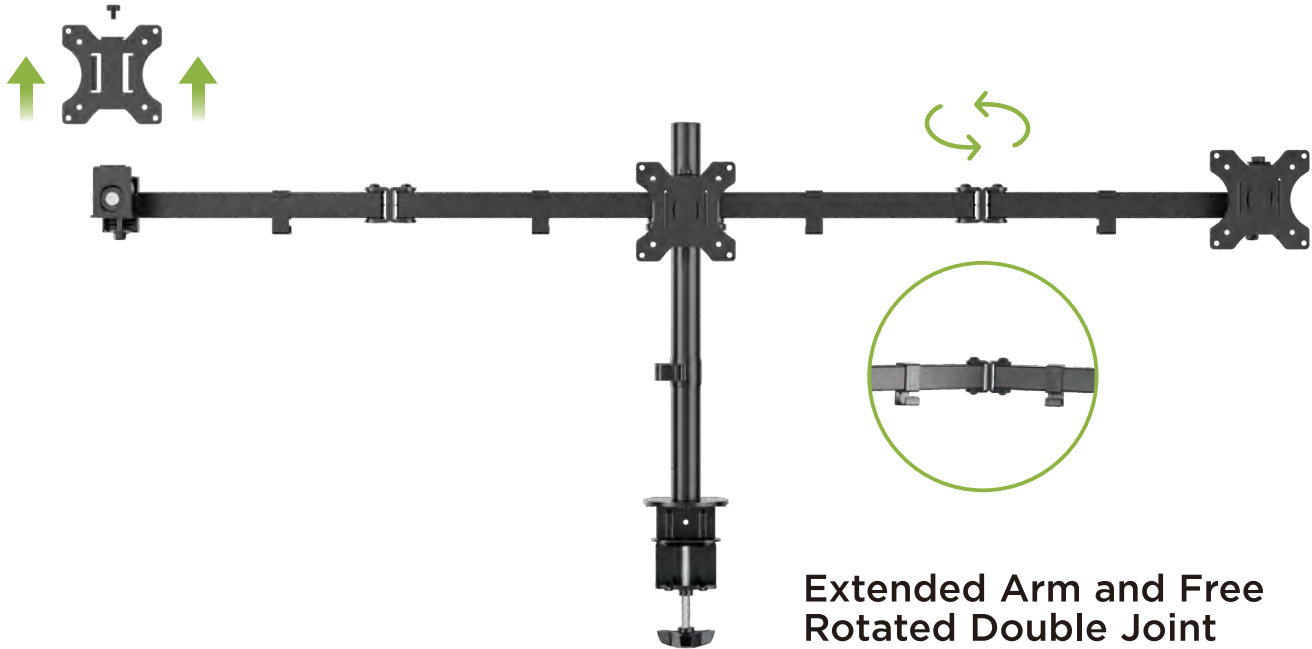


LDT12 Series

Economical Steel Articulating Monitor Arms

Detachable VESA Plate

enables easy installation



Extended Arm and Free Rotated Double Joint

More Convenient to Adjust and Install

Individual Height Adjustment

helps monitors to be perfectly aligned



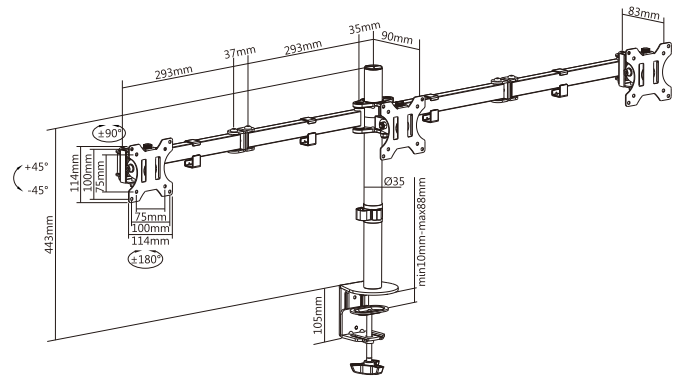
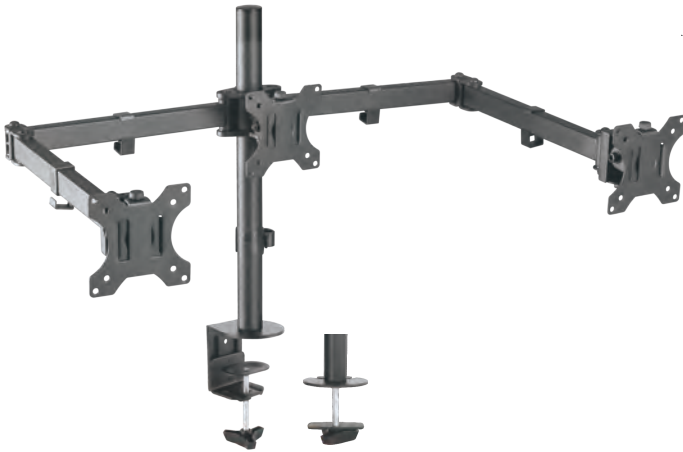
LDT12 Series

Economical Steel Articulating Monitor Arms

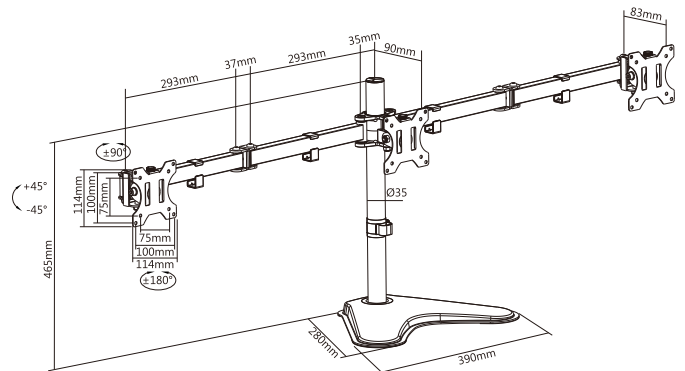


Three is **better** than one!

LDT12-C034N



LDT12-T034N



Screen Size
13"-27"



Weight Capacity
7kg/15.4lbs



VESA Compatible
75x75 100x100



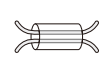
Tilt Range
+45°--45°



Swivel Range
+90°--90°



Screen Rotation
360°



Cable Management