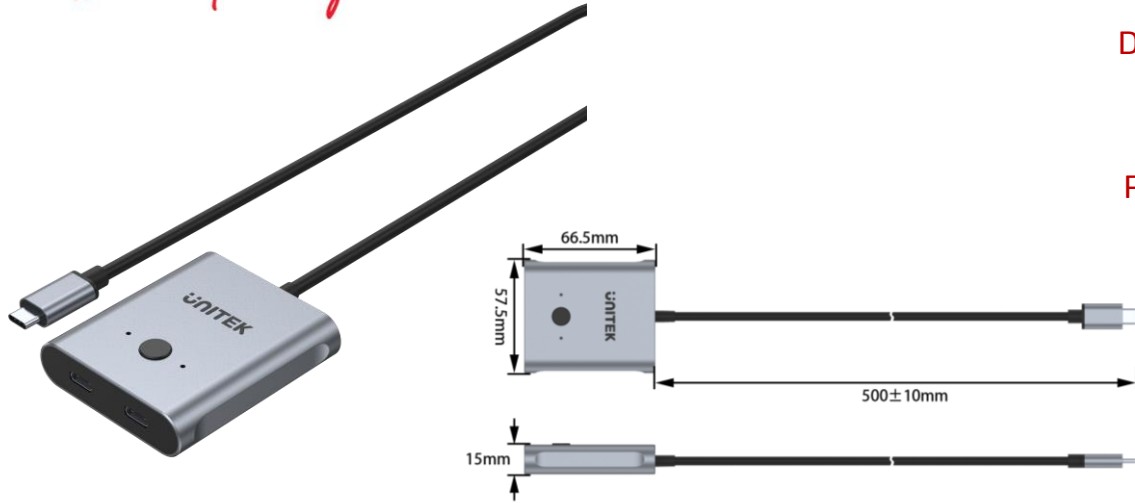
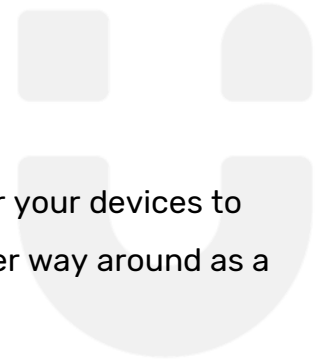




USB-C Bidirectional Switch (D1078A)

Human friendly

Supports 4K@144Hz Video, 10Gbps Data Transfer and 100W Power Delivery



Description:

This bidirectional switch offers 2 USB-C inputs for your devices to connect with 1 USB-C Display, also works the other way around as a splitter.

Product Features:

- **Increase Your Display Options** - Helps connect two devices to 1 display or one device to 2 displays (cannot function simultaneously).
- **Display & Data transfer** - Supports both display and data transfer modes for USB-C 10Gbps.
- **4K UHD Display** - Supports UHD 4K@144Hz.
- **Reverse Charging from Monitor** - Enables Power Delivery from USB-C Monitor to charge your active device.
- **Fast Charge Supported** - Capable of charging your devices with Power Delivery up to 100W.
- **One Key Switch** - Easily switches between devices by pressing the one-key switch button.

Package Contents:

- 1 x USB-C Bidirectional Switch; 1 x USB A to C 5V/2A Power Cable (1M); 2 x USB C to C 10Gbps Full-Featured Cable (1M); 1 x User Manual

Pieces/Carton:

40 pieces/carton

Dimension	66.5mm x 57.5mm x 15mm
Material / Color	Aluminium-Alloy Housing / Space Gray
Cable Length	50cm
Upstream	USB-C 10Gbps
Downstream	USB-C 10Gbps