

# Single Spot Sensor



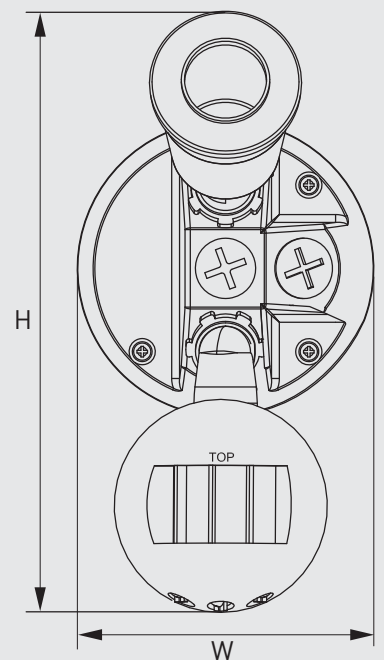
**■ Features**

- Wall/ceiling mount
- Polycarbonate construction
- Adjustable time, distance and lux
- Manual override
- Environmental protection IP44



**■ Technical Specifications**

	Sensor
<b>Mounting</b>	Wall/ceiling
<b>Sensor Type</b>	Passive IR
<b>Detection Range</b>	12m (front)
<b>Detection Angle</b>	110° rotatable 90° left to right
<b>Time on Adjustment</b>	6 sec to 12 mins
<b>Lux Setting (Lux)</b>	5 to 2000
<b>Light Intensity (Lumens)</b>	–
<b>Colour Temp</b>	–
<b>Lamp Base</b>	E27
<b>Voltage</b>	240V AC 50Hz
<b>Operating Temp</b>	-20°C to +60°C
<b>IP Rating</b>	IP44



Part Number	Description	UOM	Pack Qty	Ctn Qty	Dimensions (W x D x H)mm
55-223	Single Spotlight Sensor Black, Lamp Not Included	Each	1	18	124 x 220 x 170