

LDT21-C02

Sit-Stand Workstation Compatible Monitor Arms

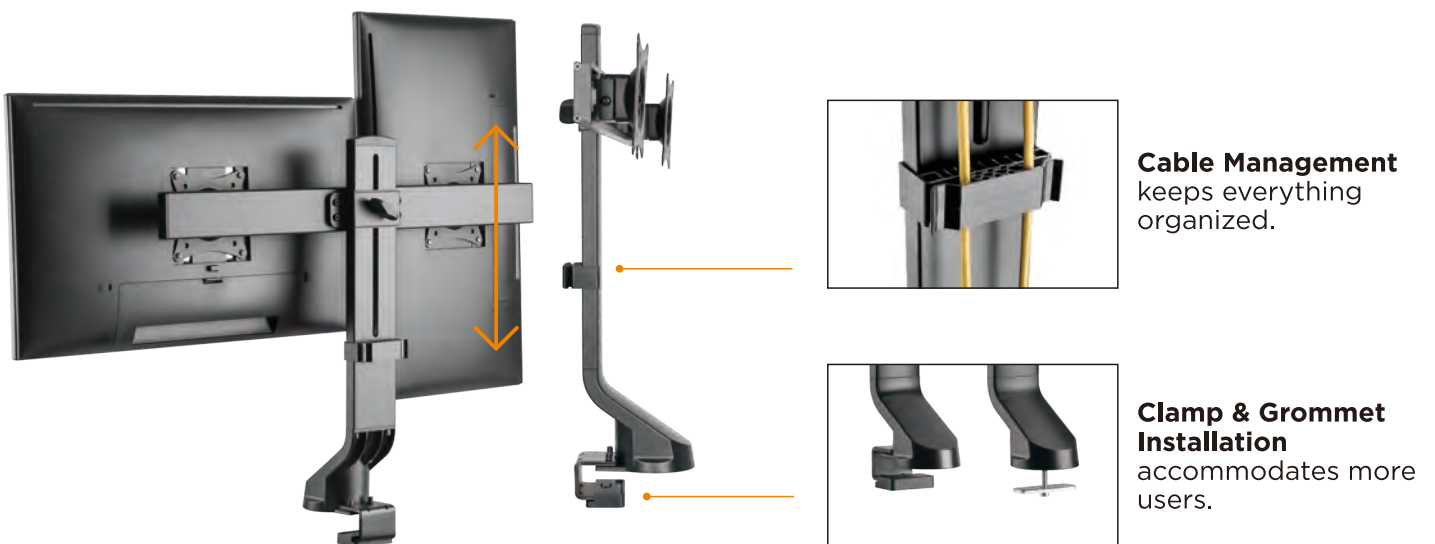
Brateck[®]
BRACKET TECHNOLOGY



Provide
**extra height
adjustment range**

for flat surface
sit-stand workstations

Extra **260-450mm (10.2"-17.7")**
Height Adjustment Range



LDT21-C02

Sit-Stand Workstation Compatible Monitor Arms

Brateck[®]
BRACKET TECHNOLOGY



Screen Size
17" - 27"



VESA Compatible
75x75 100x100



Screen Rotation
360°



Tilt Range
+10° - -10°



Swivel Range
+10° - -10°



Weight Capacity
7kg/15.4lbs



Cable Management

