

LDT21-C01

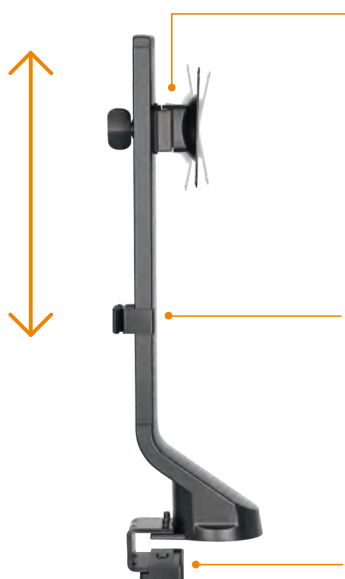
## Sit-Stand Workstation Compatible Monitor Arms

**Brateck**<sup>®</sup>  
BRACKET TECHNOLOGY

Provide  
**extra height  
adjustment range**  
for flat surface  
sit-stand workstations



Extra **260-450mm (10.2"-17.7")**  
Height Adjustment Range



**Detachable VESA Plate**  
enables easy  
installation.



**Cable Management**  
keeps everything  
organized.



**Clamp & Grommet Installation**  
accommodates more  
users.

LDT21-C01

# Sit-Stand Workstation Compatible Monitor Arms

Brateck<sup>®</sup>  
BRACKET TECHNOLOGY



Screen Size  
17" ~ 32"



VESA Compatible  
75x75 100x100



Screen Rotation  
360°



Tilt Range  
+10° ~ -10°



Swivel Range  
+10° ~ -10°



Weight Capacity  
8kg/17.6lbs



Cable Management

